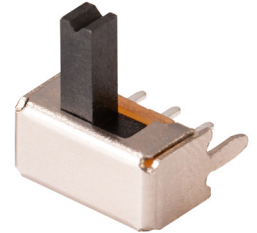


MODEL: SLW-864547-5A-RA-D | **DESCRIPTION:** SLIDE SWITCH

FEATURES

- through hole
- right angle
- raised slide actuator


SPECIFICATIONS

| parameter | conditions/description | min | typ | max | units |
|-----------------------|---|-----|--------|-----|--------|
| rated voltage | | | | 50 | Vdc |
| rated current | | | | 300 | mA |
| withstanding voltage | for 1 minute | | 500 | | Vac |
| contact resistance | measured at 1 kHz at 100 mA or less | | | 100 | mΩ |
| insulation resistance | at 500 Vdc for 1 minute | 100 | | | MΩ |
| operating force | | 200 | 300 | 400 | gf |
| actuator travel | | 1.8 | 2 | 2.2 | mm |
| operating temperature | | -20 | | 70 | °C |
| storage temperature | | -40 | | 85 | °C |
| life | at uniform rate of 15~18 cycles per minute, no load | | 10,000 | | cycles |
| vibration | 10~55~10 Hz, 1.5 mm amplitude, 2 hours on each XYZ | | | | |
| flammability rating | see material table | | | | |
| RoHS | yes | | | | |

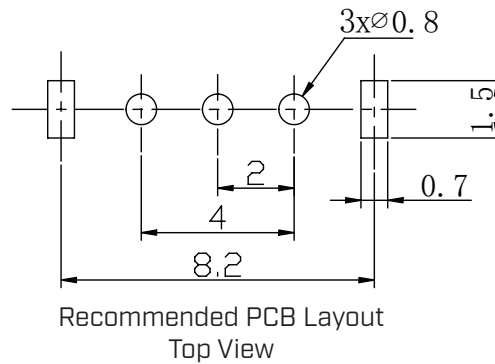
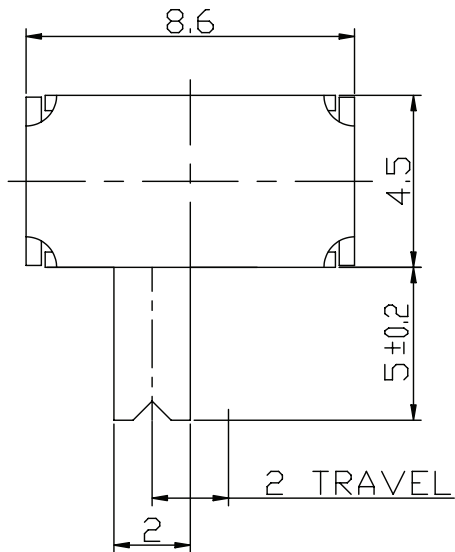
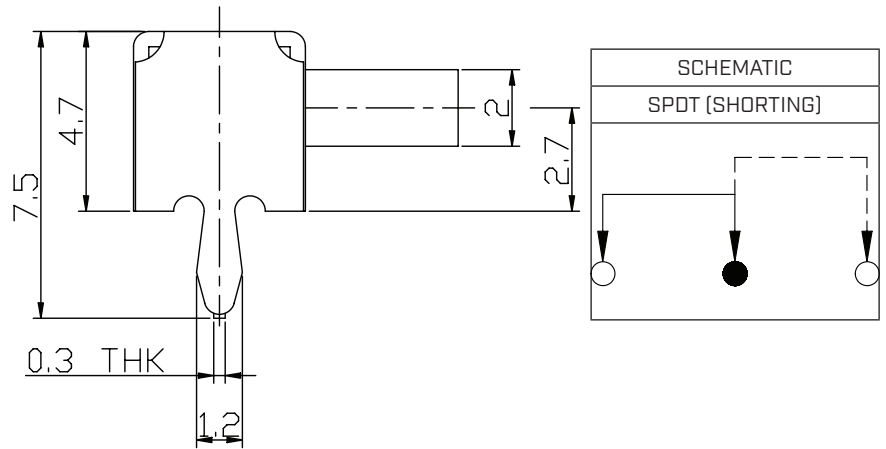
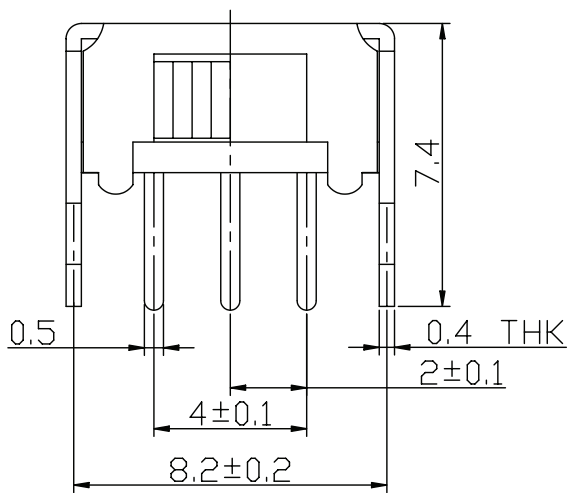
SOLDERABILITY

| parameter | conditions/description | min | typ | max | units |
|----------------|------------------------|-----|-----|-----|-------|
| hand soldering | for 3±0.5 seconds | 340 | 350 | 360 | °C |
| wave soldering | for 3±0.5 seconds | 255 | 260 | 265 | °C |

MECHANICAL DRAWING

units: mm
 tolerance: ± 0.20 mm
 unless otherwise specified

| DESCRIPTION | MATERIAL | PLATING/COLOR |
|--------------|----------------|---------------|
| frame | steel strip | nickel |
| knob | PA66 | black |
| case | phenolic resin | natural |
| terminal | brass | silver |
| contact clip | PBS C5210R-EH | silver |
| spring | PBS strip | natural |



REVISION HISTORY

| rev. | description | date |
|------|-----------------|------------|
| 1.0 | initial release | 07/07/2023 |

The revision history provided is for informational purposes only and is believed to be accurate.



CUI Devices offers a one (1) year limited warranty. Complete warranty information is listed on our website.

CUI Devices reserves the right to make changes to the product at any time without notice. Information provided by CUI Devices is believed to be accurate and reliable. However, no responsibility is assumed by CUI Devices for its use, nor for any infringements of patents or other rights of third parties which may result from its use.

CUI Devices products are not authorized or warranted for use as critical components in equipment that requires an extremely high level of reliability. A critical component is any component of a life support device or system whose failure to perform can be reasonably expected to cause the failure of the life support device or system, or to affect its safety or effectiveness.

cuidevices.com