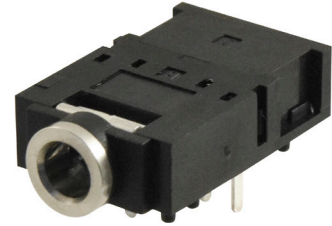
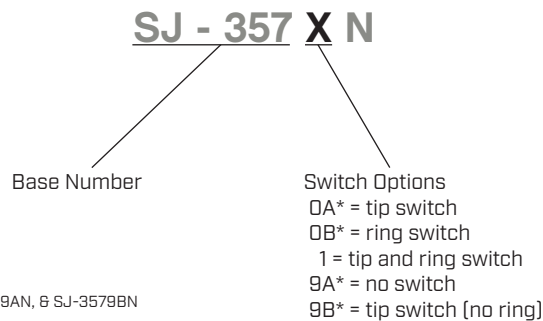


SERIES: SJ-357XN | **DESCRIPTION:** AUDIO JACK

FEATURES

- PCB mount
- stereo
- right angle with isolated DPDT switch
- non-threaded
- plastic bushing on model SJ-3579AN, metal bushing on all other models


PART NUMBER KEY


Notes: *Discontinued models SJ-3570AN, SJ-3570BN, SJ-3579AN, & SJ-3579BN

SPECIFICATIONS

parameter	conditions/description	min	typ	max	units
rated input voltage			12		Vdc
rated input current				1	A
contact resistance	between terminal and mating plug between terminal in a closed circuit ¹			50 30	mΩ mΩ
insulation resistance	at 500 Vdc	100			MΩ
voltage withstand	at 50/60Hz for 1 minute			500	Vac
insertion/withdrawal force		0.3		3	kg
operating temperature		-25		85	°C
life			5,000		cycles
flammability rating	UL94V-0				
RoHS	yes				

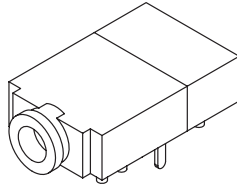
Notes: 1. When measured at a current of less than 100 mA / 1 kHz
2. All specifications measured at 10-35°C, humidity at 45-85%, under standard atmospheric pressure, unless otherwise noted.

SOLDERABILITY

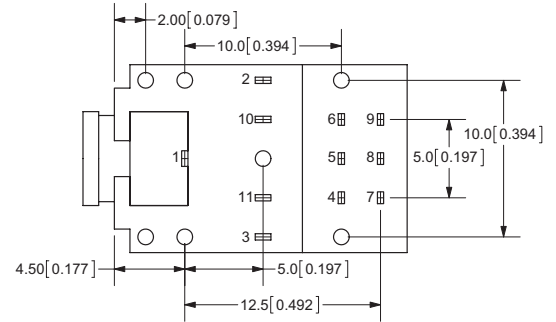
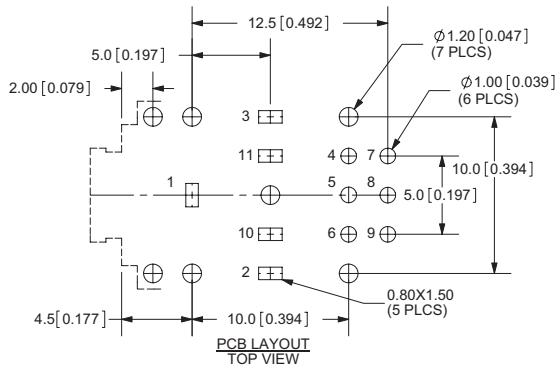
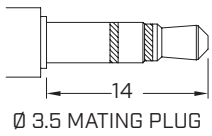
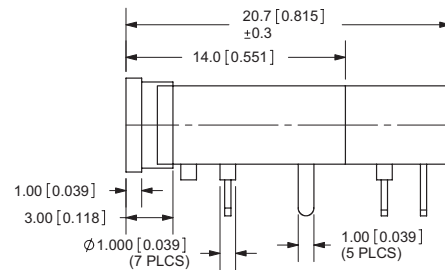
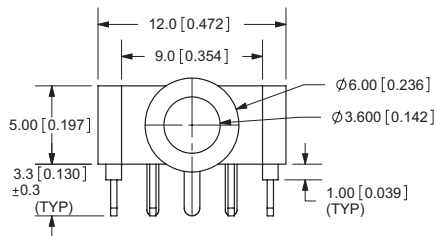
parameter	conditions/description	min	typ	max	units
wave soldering	dipped in solder pot for 5 ±0.5 seconds at	255	260	265	°C

MECHANICAL DRAWING

units: mm [inches]
 tolerance: X.X=±0.2 mm
 X.XX=±0.1 mm
 X.XXX=±0.05 mm



	MATERIAL	PLATING
terminals 1, 3	copper alloy	silver
terminal 2	stainless steel	silver
terminals 4-9	brass	silver
terminal 10-11	brass	silver
bushing (SJ-3579AN)	PA66	
bushing (all other models)	brass	nickel
plastic	PA66	
contact clip	C5210	silver



Model No.	SJ-3570AN	SJ-3570BN	SJ-3571N	SJ-3579AN ³	SJ-3579BN
SCHEMATIC					
PIN	1 sleeve, 2 tip, 3 ring, 10 tip switch, 11 NP	1 sleeve, 2 tip, 3 ring, NP, 11 ring switch	1 sleeve, 2 tip, 3 ring, 10 tip switch, 11 ring switch	1 sleeve, 2 tip, 3 ring, NP, NP	1 sleeve, 2 tip, NP, 10 tip switch, NP

Note: 3. Model SJ-3579AN has plastic bushing

REVISION HISTORY

rev.	description	date
1.0	initial release	03/01/2006
1.01	new template applied	02/22/2012
1.02	changed material of terminal 2 to be stainless steel	04/05/2016
1.03	changed terminal plating to silver	02/13/2019
1.04	brand update	10/10/2019
1.05	updated bushing details on model SJ-3579AN	03/02/2020
1.06	discontinued models SJ-3570AN, SJ-3570BN, SJ-3579AN, & SJ-3579BN; logo, datasheet style update	08/15/2022

The revision history provided is for informational purposes only and is believed to be accurate.



CUI Devices offers a one (1) year limited warranty. Complete warranty information is listed on our website.

CUI Devices reserves the right to make changes to the product at any time without notice. Information provided by CUI Devices is believed to be accurate and reliable. However, no responsibility is assumed by CUI Devices for its use, nor for any infringements of patents or other rights of third parties which may result from its use.

CUI Devices products are not authorized or warranted for use as critical components in equipment that requires an extremely high level of reliability. A critical component is any component of a life support device or system whose failure to perform can be reasonably expected to cause the failure of the life support device or system, or to affect its safety or effectiveness.

cuidevices.com