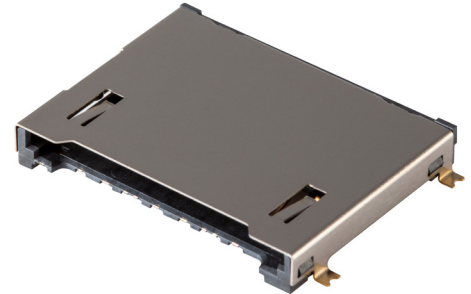


MODEL: SD7-2-B | **DESCRIPTION:** SD 7.0 CARD CONNECTOR

FEATURES

- SD 7.0 card connector
- push in, pull out
- card detect switch
- gold flash
- surface mount
- UL94V-0

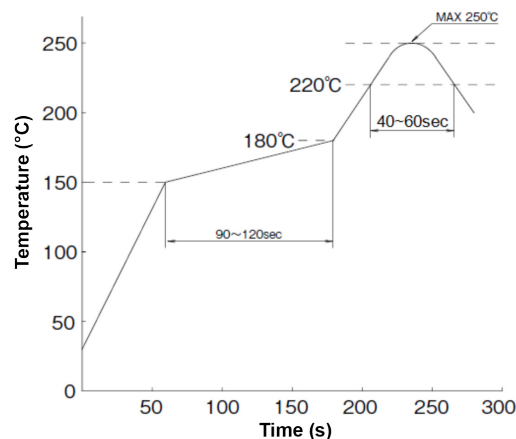

SPECIFICATIONS

parameter	conditions/description	min	typ	max	units
rated voltage				30	V
rated current				0.5	A
contact resistance ¹				100	mΩ
insulation resistance	at 500 Vdc, between adjacent circuits	1,000			MΩ
voltage withstand	for 1 minute, between adjacent circuits		100		Vac
insertion force	at a rate of 25 mm/min			10	N
withdrawal force	at a rate of 25 mm/min	0.5			N
life			5,000		cycles
operating temperature		-40		85	°C
flammability rating	UL94V-0				
RoHS	yes				

Note: 1. When measured at 20 mV / 100 mA.

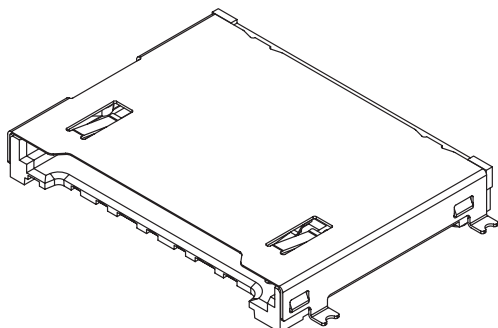
SOLDERABILITY

parameter	conditions/description	min	typ	max	units
reel storage	at relative humidity 40-70% reel opened: use within 1 month reel unopened: up to 15 month shelf life	16	22	28	°C
reflow soldering	see reflow profile			250	°C

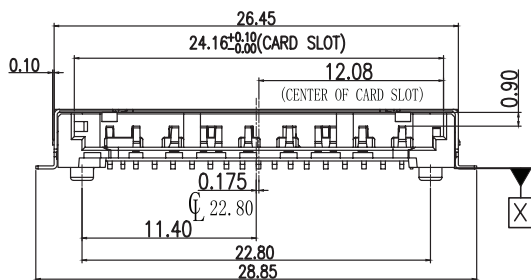
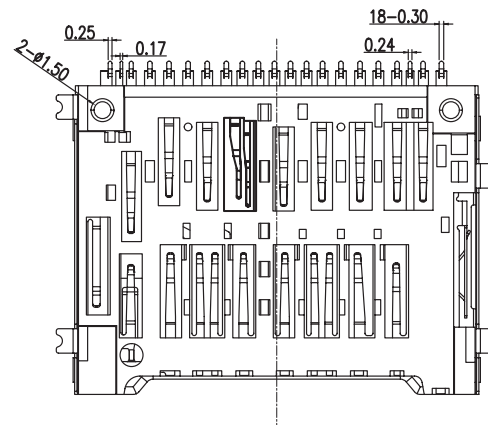
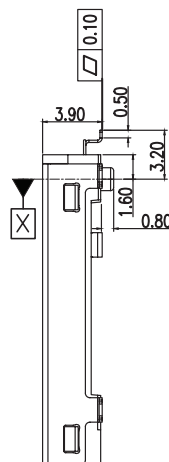
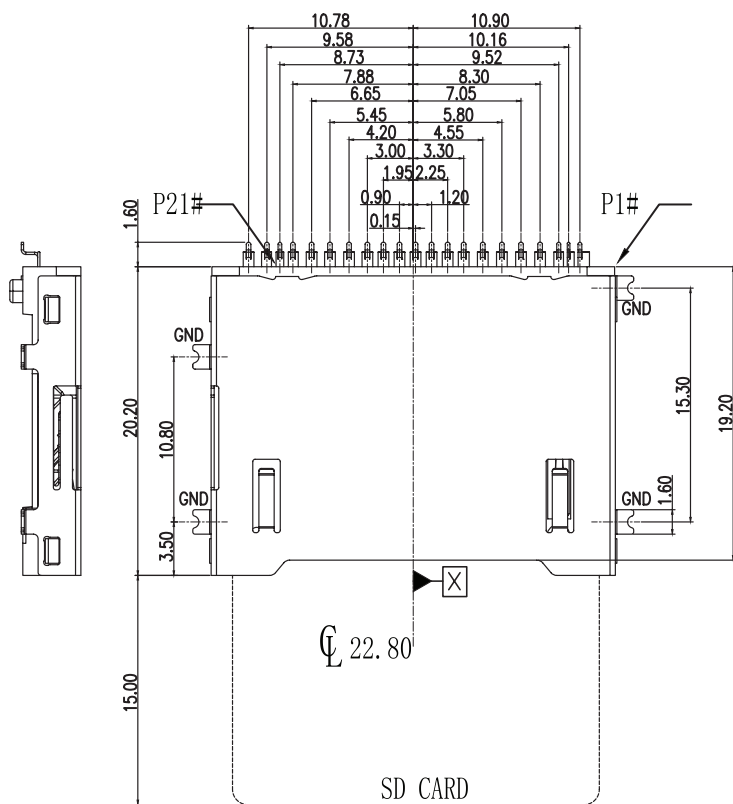
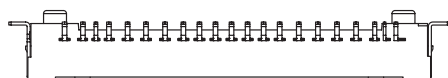


MECHANICAL DRAWING

units: mm
 tolerance:
 X.X ±0.35 mm
 X.XX ±0.25 mm
 X.XXX ±0.10 mm
 unless otherwise specified



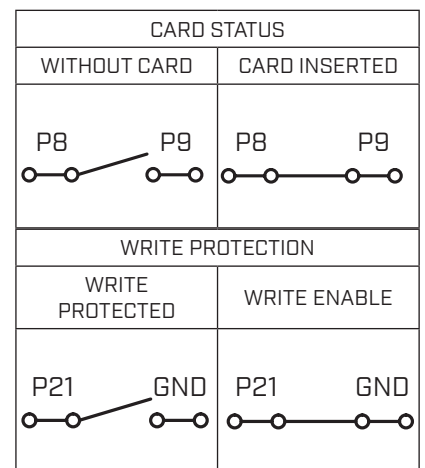
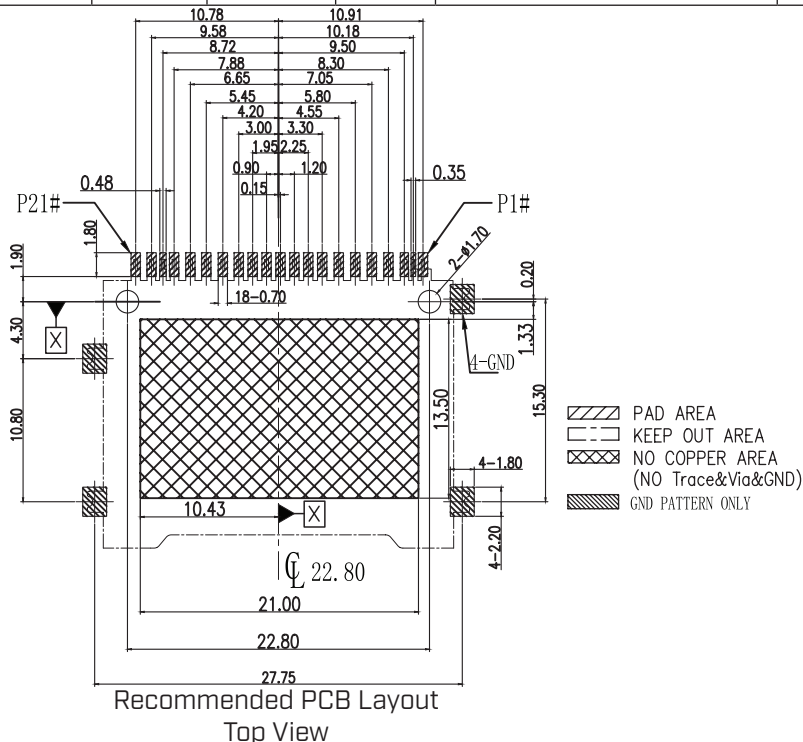
DESCRIPTION	MATERIAL	PLATING/COLOR
housing	LCP 30% GF (UL94V-0)	black
contact terminals	phosphor bronze t=0.15 mm	contact area: gold flash over nickel solder area: tin over nickel
cover	SUS304 t=0.2 mm	solder area: gold flash over nickel



MECHANICAL DRAWING (CONTINUED)

units: mm
PCB tolerance: ±0.05 mm

PIN CONNECTIONS							
CONNECTOR PIN#	SD CARD PIN#	SD MODE			PCLe MODE		
		SIGNAL NAME	TYPE	DESCRIPTION	SIGNAL NAME	TYPE	DESCRIPTION
P1	10	-	-	NOT USED	VSS3	S	SUPPLY VOLTAGE GROUND
P2	19	-	-	NOT USED	-	-	NOT USED
P3	9	DAT2	I/O/PP	DATA LINE (BIT 2)	CLKREQ#	I/O/OD	REFERENCE CLOCK REQUEST SIGNAL. ALSO USED BY L1 PM SUB-STATES
P4	11	-	-	NOT USED	PCLe TXD+	IDS	PCLe TXD+
P5	1	CD/DAT3	I/O/PP	CARD DETECT/DATA LINE (BIT 3)	PERST#	I	PE-RESET IS A FUNCTIONAL RESET
P6	12	-	-	NOT USED	PCLe TXD-	IDS	PCLe TXD-
P7	2	CMD	PP	COMMAND/RESPONSE	CD	-	CARD DETECT SWITCH
P8	CD	CD	-	CARD DETECT SWITCH	VSS1	S	SUPPLY VOLTAGE GROUND
P9	3	VSS1	S	SUPPLY VOLTAGE GROUND	VSS4	S	SUPPLY VOLTAGE GROUND
P10	13	-	-	NOT USED	VDD2	S	SUPPLY VOLTAGE (1.8 V)
P11	14	-	-	NOT USED	VDD1	S	SUPPLY VOLTAGE (3.3 V)
P12	4	VDD	S	SUPPLY VOLTAGE	PCLe RX-	ODS	PCLe RX-
P13	15	-	-	NOT USED	-	-	NOT USED
P14	5	CLK	I	CLOCK	PCLe RX-	ODS	PCLe RX-
P15	16	-	-	NOT USED	VSS2	S	SUPPLY VOLTAGE GROUND
P16	6	VSS2	S	SUPPLY VOLTAGE GROUND	VSS5	S	SUPPLY VOLTAGE GROUND
P17	17	-	-	NOT USED	REFCLK+	IDS	PCLe REF CLOCK
P18	7	DAT0	I/O/PP	DATA LINE (BIT 0)	RCLK-	I	RCLK-
P19	18	-	-	NOT USED	VDD3	S	SUPPLY VOLTAGE (1.2 V)
P20	8	DAT1	I/O/PP	DATA LINE (BIT 1)	RCLK+	I	RCLK+
P21	WP	WP	-	WRITE PROTECT	WP	-	WRITE PROTECT
GND	-	-	-	COVER GROUND	-	-	COVER GROUND

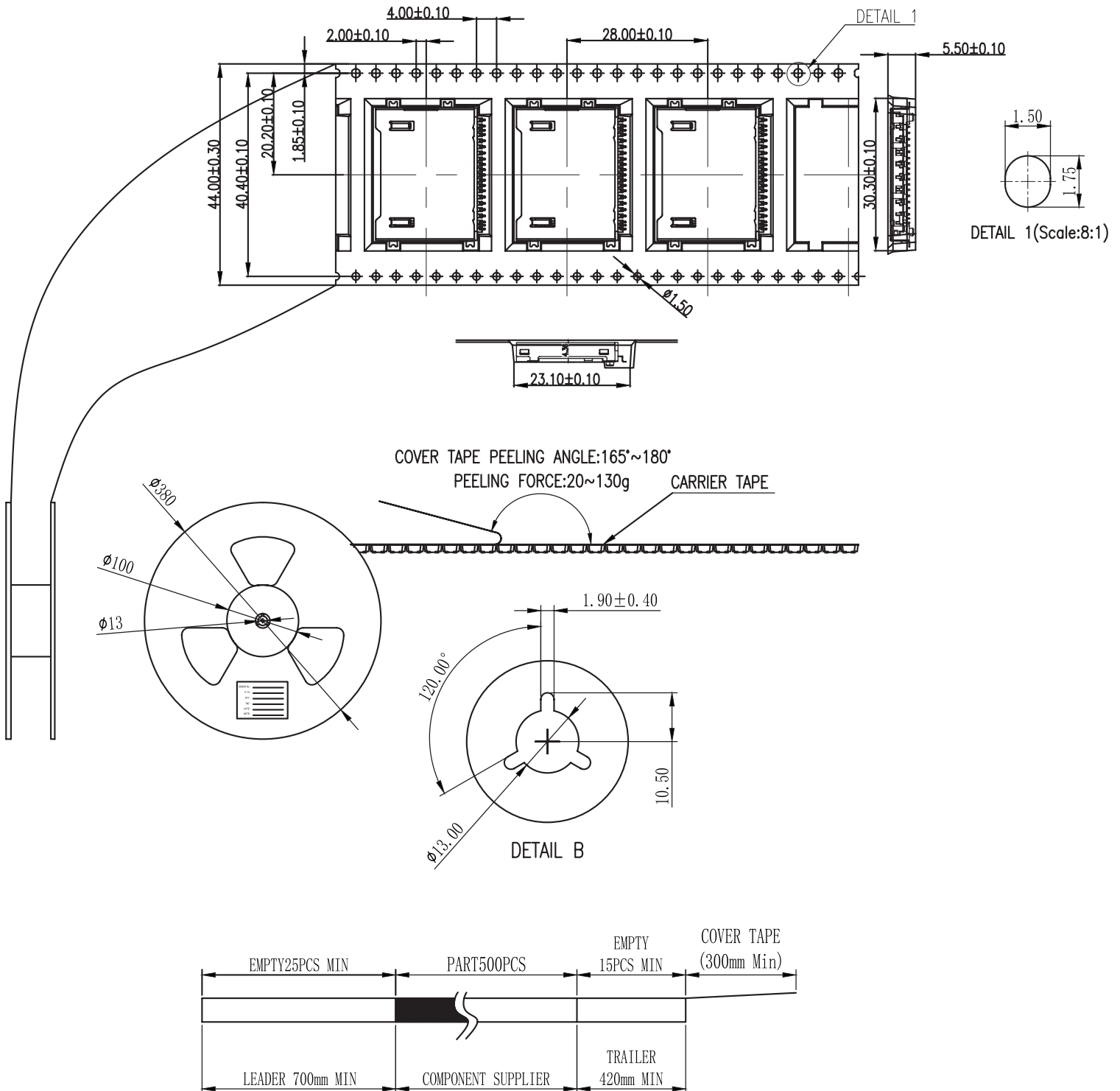


PACKAGING

units: mm

Reel Size: $\varnothing 380$ mm

Reel QTY: 500 pcs per reel



REVISION HISTORY

rev.	description	date
1.0	initial release	10/26/2023

The revision history provided is for informational purposes only and is believed to be accurate.



CUI Devices offers a one (1) year limited warranty. Complete warranty information is listed on our website.

CUI Devices reserves the right to make changes to the product at any time without notice. Information provided by CUI Devices is believed to be accurate and reliable. However, no responsibility is assumed by CUI Devices for its use, nor for any infringements of patents or other rights of third parties which may result from its use.

CUI Devices products are not authorized or warranted for use as critical components in equipment that requires an extremely high level of reliability. A critical component is any component of a life support device or system whose failure to perform can be reasonably expected to cause the failure of the life support device or system, or to affect its safety or effectiveness.

cuidevices.com