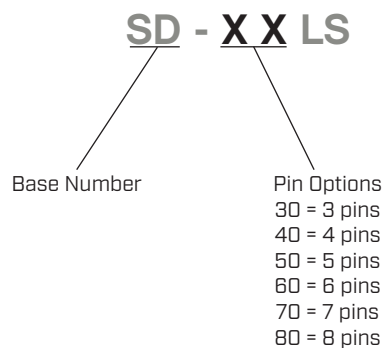


**SERIES:** SD-LS | **DESCRIPTION:** STANDARD DIN CONNECTOR

**FEATURES**

- locking
- panel mount
- metal bushing


**PART NUMBER KEY**

**SPECIFICATIONS**

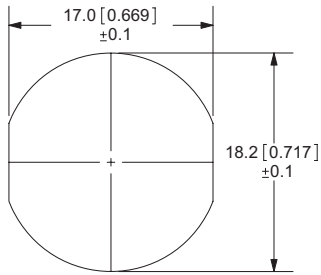
parameter	conditions/description	min	typ	max	units
rated input voltage			100		Vac
rated input current				2	A
contact resistance				20	mΩ
insulation resistance	at 500 Vdc	100			MΩ
voltage withstand	for 1 minute			1000	Vac
operating temperature		-40		85	°C
life			5,000		cycles
flammability rating	UL94V-2				
RoHS	yes				

## MECHANICAL DRAWINGS

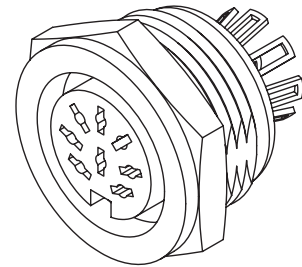
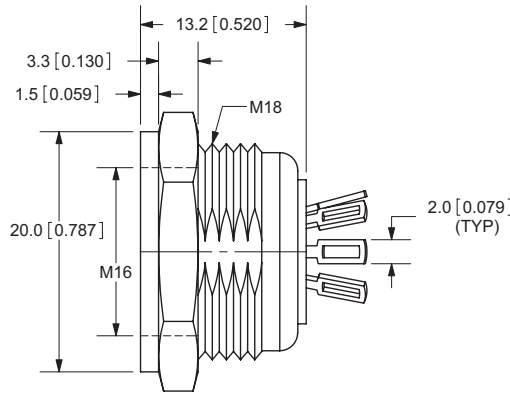
units: mm[inches]

TOLERANCE: ±0.2mm

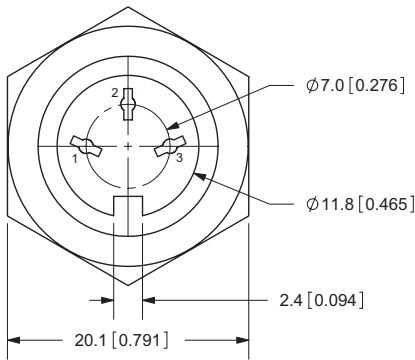
	MATERIAL	PLATING
contact terminals	brass	tin
hex nut	zinc	nickel
cover	zinc	nickel
housing	nylon	



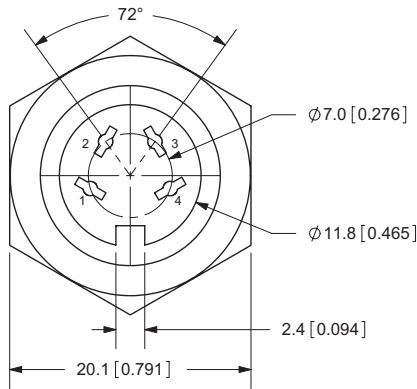
Panel Cutout



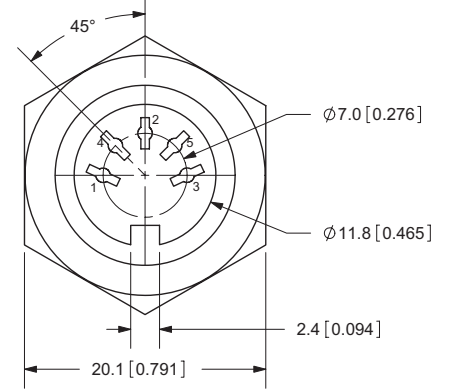
### SD-30LS



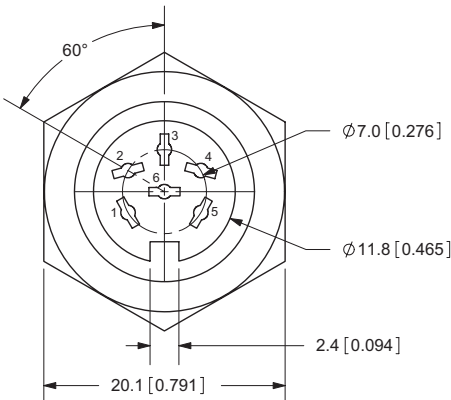
### SD-40LS



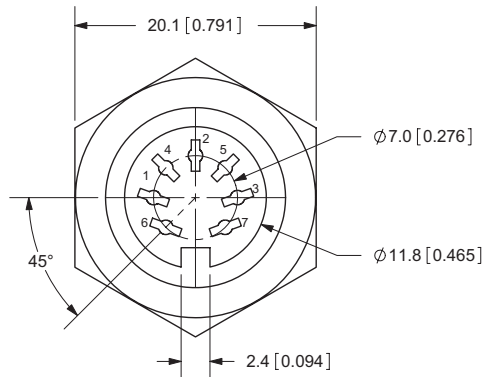
### SD-40LS



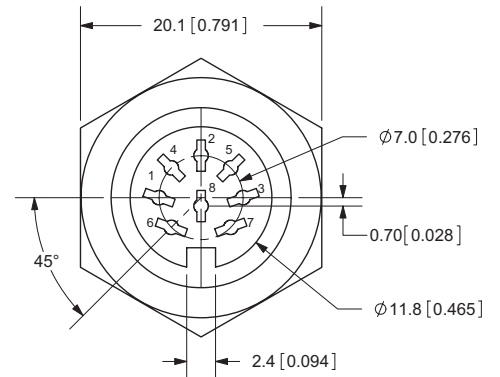
### SD-60LS



### SD-70LS



### SD-80LS



## REVISION HISTORY

rev.	description	date
1.0	initial release	02/23/2006
1.01	new template applied	01/27/2012
1.02	updated datasheet	11/24/2015
1.03	updated datasheet	09/08/2017
1.04	brand update	02/19/2020
1.05	updated datasheet	07/02/2020
1.06	logo, datasheet style update	08/05/2022

The revision history provided is for informational purposes only and is believed to be accurate.



CUI Devices offers a one (1) year limited warranty. Complete warranty information is listed on our website.

CUI Devices reserves the right to make changes to the product at any time without notice. Information provided by CUI Devices is believed to be accurate and reliable. However, no responsibility is assumed by CUI Devices for its use, nor for any infringements of patents or other rights of third parties which may result from its use.

CUI Devices products are not authorized or warranted for use as critical components in equipment that requires an extremely high level of reliability. A critical component is any component of a life support device or system whose failure to perform can be reasonably expected to cause the failure of the life support device or system, or to affect its safety or effectiveness.

[cuidevices.com](http://cuidevices.com)