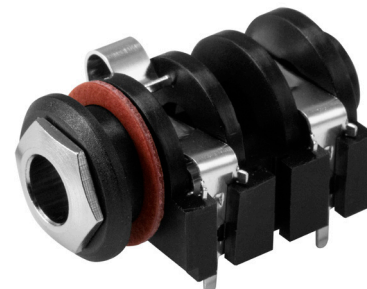


MODEL: MJ-63042J | **DESCRIPTION:** AUDIO JACK

FEATURES

- through hole
- right angle
- tip and sleeve switch
- sleeve switch normally open
- open housing design


SPECIFICATIONS

| parameter | conditions/description | min | typ | max | units |
|----------------------------|----------------------------------|-----|-------|-----|--------|
| rated input voltage | | | 12 | | Vdc |
| rated input current | | | | 1 | A |
| contact resistance | between terminal and mating plug | | | 30 | mΩ |
| insulation resistance | at 500 Vdc | 100 | | | MΩ |
| voltage withstand | for 1 minute | | | 500 | Vac |
| insertion/withdrawal force | | 0.4 | | 3 | kg |
| operating temperature | | -25 | | 70 | °C |
| life | | | 5,000 | | cycles |
| flammability rating | see material table | | | | |
| RoHS | yes | | | | |

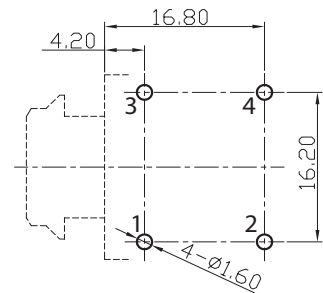
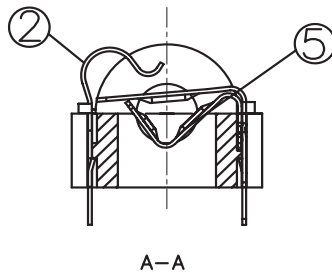
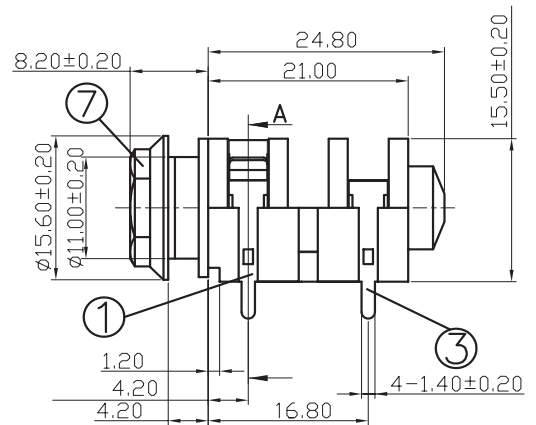
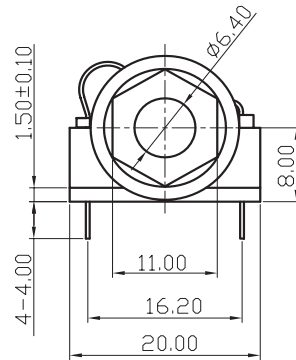
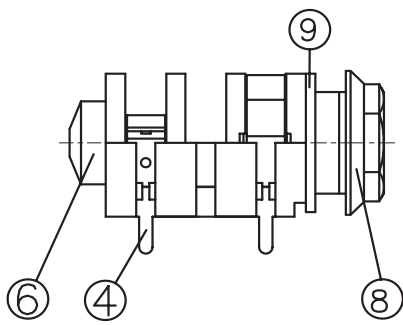
SOLDERABILITY

| parameter | conditions/description | min | typ | max | units |
|----------------|--------------------------------------|-----|-----|-----|-------|
| wave soldering | dipped in solder pot for 3~5 seconds | | 260 | | °C |

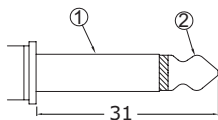
MECHANICAL DRAWING

units: mm
tolerance: ±0.3 mm

| ITEM | DESCRIPTION | MATERIAL | PLATING/COLOR |
|------|---------------|-----------------|---------------|
| 1 | sleeve spring | phosphor bronze | silver |
| 2 | sleeve shunt | phosphor bronze | silver |
| 3 | tip spring | phosphor bronze | silver |
| 4 | tip shunt | bronze | silver |
| 5 | bottom spring | phosphor bronze | silver |
| 6 | housing | PA66 (UL94V-0) | black |
| 7 | nut | brass | nickel |
| 8 | bushing | PA66 (UL94V-0) | black |
| 9 | washer | paper | red |



Recommended PCB Layout
Top View



Ø6.35 MATING PLUG

| | |
|-----------|---------------------|
| Model No. | MJ-63042J |
| Schematic | |
| PIN | |
| 1 | sleeve |
| 2 | tip |
| 3 | sleeve switch (N-D) |
| 4 | tip switch (N-C) |

REVISION HISTORY

| rev. | description | date |
|------|------------------------------|------------|
| 1.0 | initial release | 08/11/2020 |
| 1.01 | logo, datasheet style update | 08/17/2022 |

The revision history provided is for informational purposes only and is believed to be accurate.



CUI Devices offers a one (1) year limited warranty. Complete warranty information is listed on our website.

CUI Devices reserves the right to make changes to the product at any time without notice. Information provided by CUI Devices is believed to be accurate and reliable. However, no responsibility is assumed by CUI Devices for its use, nor for any infringements of patents or other rights of third parties which may result from its use.

CUI Devices products are not authorized or warranted for use as critical components in equipment that requires an extremely high level of reliability. A critical component is any component of a life support device or system whose failure to perform can be reasonably expected to cause the failure of the life support device or system, or to affect its safety or effectiveness.

cuidevices.com