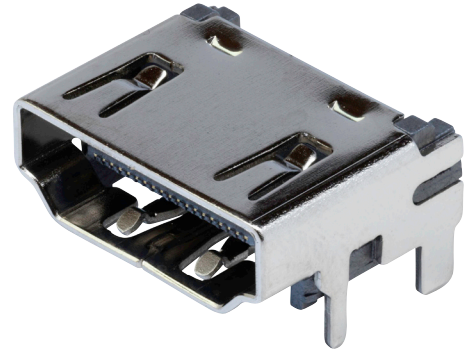


**MODEL:** HD05-19-TH-TR | **DESCRIPTION:** HDMI RECEPTACLE

**FEATURES**

- HDMI 2.0
- 19 position
- tape & reel packaging
- reflow solder compatible


**SPECIFICATIONS**

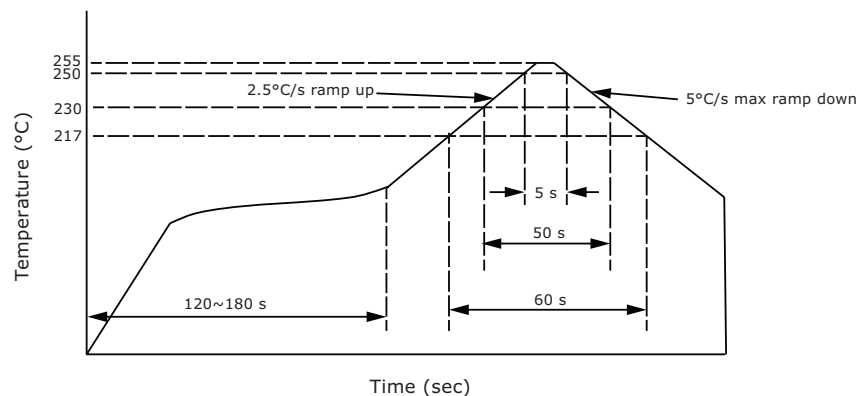
parameter	conditions/description	min	typ	max	units
HDMI standard	HDMI 2.0				
rated voltage				40	Vac
rated current				0.5	A
contact resistance <sup>1</sup>	between terminals and mating plug			30	mΩ
insulation resistance	at 500 Vdc	100			MΩ
voltage withstand	for 1 minute		500		Vac
insertion force				4.5	kgf
withdrawal force	0~2,000 cycles	1		4.0	kgf
	2001~10,000 cycles	0.5		4.0	kgf
life			10,000		cycles
operating temperature		-25		85	°C
flammability rating	UL94V-0				
RoHS	yes				

Note: 1. When measured at 20 mV / 100 mA.  
2. All specifications measured at 10~35°C, humidity at 45~85%, under standard atmospheric pressure, unless otherwise noted.

**SOLDERABILITY**

parameter	conditions/description	min	typ	max	units
reel storage	at relative humidity 65~70%	25		30	°C
reflow soldering <sup>3</sup>	see reflow profile		255	260	°C

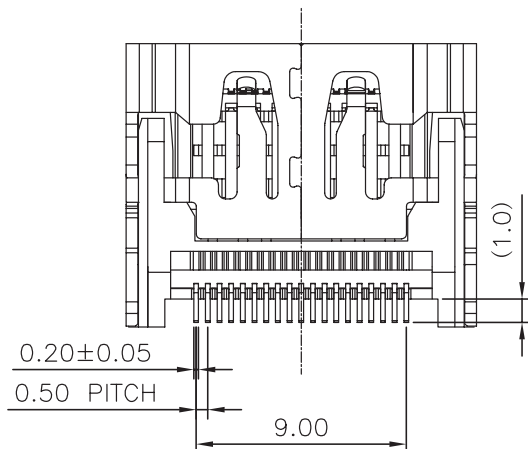
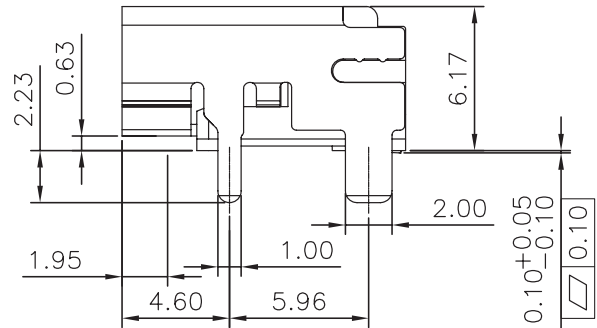
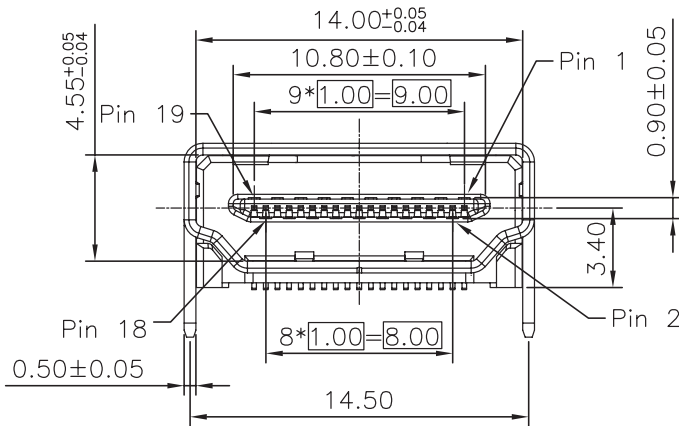
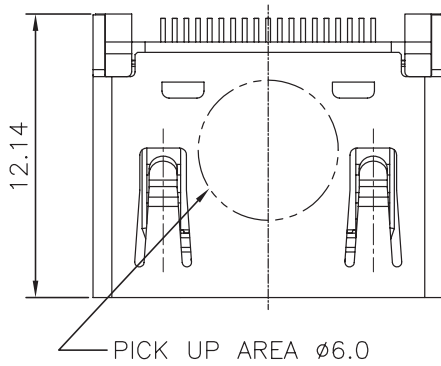
Note: 3. It is recommended to reflow solder within 3 months from opening vacuum packaging at a temperature of 25~30°C & relative humidity 65~70%.



## MECHANICAL DRAWING

units: mm  
 tolerance:  
 X.  $\pm 0.50$  mm  
 X.X  $\pm 0.30$  mm  
 X.XX  $\pm 0.20$  mm  
 X.XXX  $\pm 0.10$  mm  
 unless otherwise specified

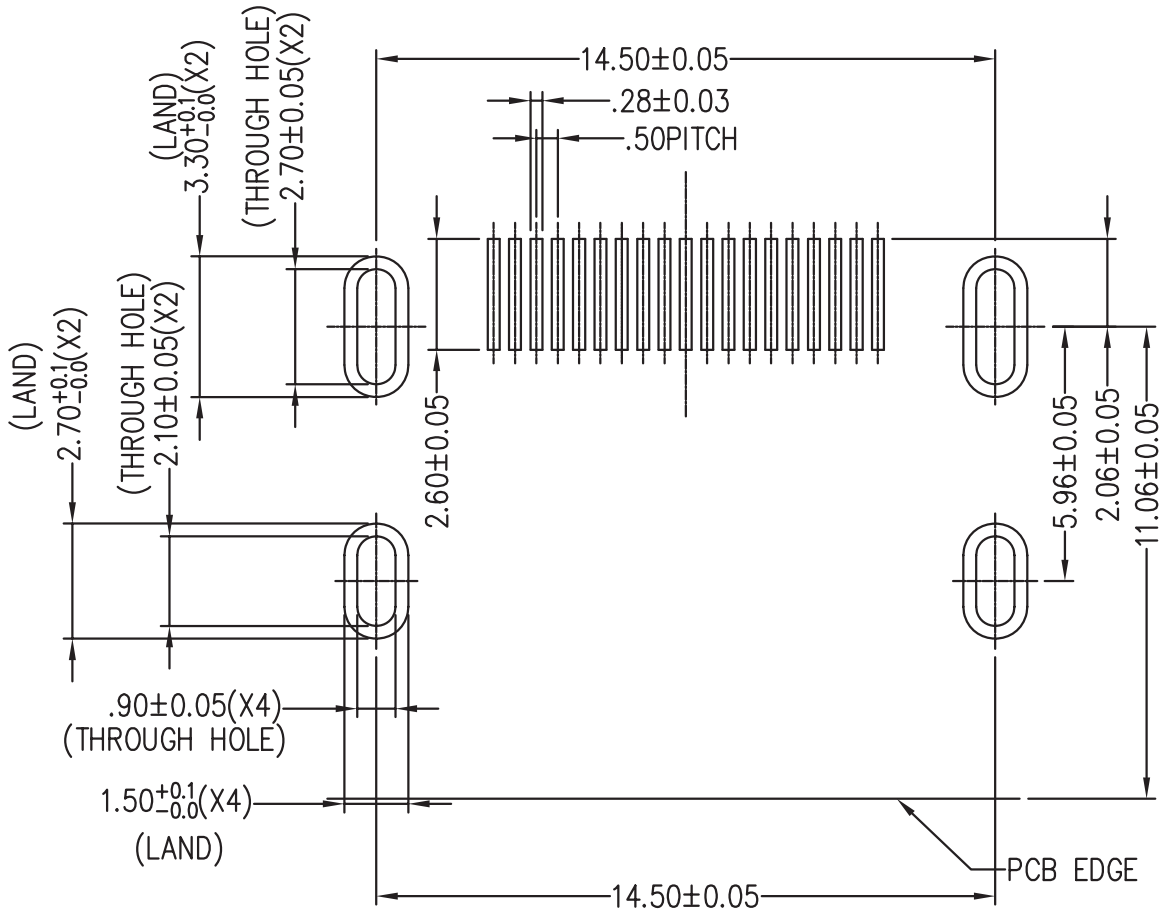
DESCRIPTION	MATERIAL	PLATING/COLOR
insulator	LCP [UL94V-0]	black
contact	brass	contact area: gold flash over nickel solder area: tin over nickel
shell	brass	nickel



## MECHANICAL DRAWING (CONTINUED)

units: mm  
 PCB tolerance:  $\pm 0.05$  mm  
 PCB thickness: 1.20-1.60 mm

PIN CONNECTIONS					
PIN	SIGNAL NAME	MATING SEQUENCE	PIN	SIGNAL NAME	MATING SEQUENCE
1	TMDS Data2+	SECOND	2	TMDS Data2 Shield	SECOND
3	TMDS Data2-	SECOND	4	TMDS Data1+	SECOND
5	TMDS Data1 Shield	SECOND	6	TMDS Data-	SECOND
7	TMDS Data0+	SECOND	8	TMDS Data0 Shield	SECOND
9	TMDS Data0-	SECOND	10	TMDS Clock+	SECOND
11	TMDS Clock Shield	SECOND	12	TMDS Clock-	SECOND
13	CEC	SECOND	14	Utility	SECOND
15	SCL	SECOND	16	SDA	SECOND
17	DDC/CEC Ground	SECOND	18	+5V Power	THIRD
19	Hot Plug Detect	SECOND			
SHELL/SHIELD		FIRST			



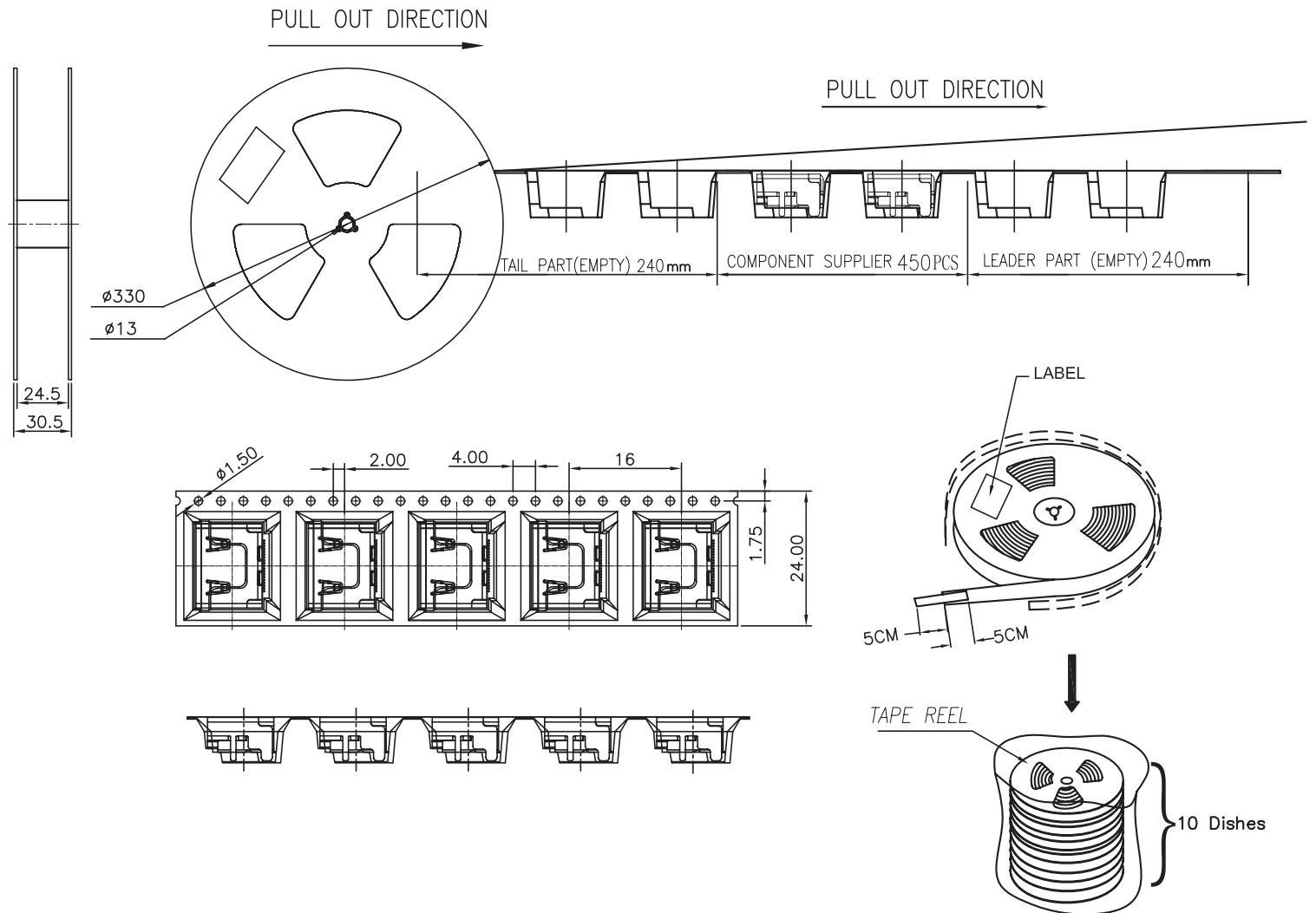
Recommended PCB Layout  
 Top View

## PACKAGING

units: mm

Reel Size:  $\varnothing 330$  mm

Reel QTY: 450 pcs per reel



## REVISION HISTORY

rev.	description	date
1.0	initial release	07/26/2023

The revision history provided is for informational purposes only and is believed to be accurate.



CUI Devices offers a one (1) year limited warranty. Complete warranty information is listed on our website.

CUI Devices reserves the right to make changes to the product at any time without notice. Information provided by CUI Devices is believed to be accurate and reliable. However, no responsibility is assumed by CUI Devices for its use, nor for any infringements of patents or other rights of third parties which may result from its use.

CUI Devices products are not authorized or warranted for use as critical components in equipment that requires an extremely high level of reliability. A critical component is any component of a life support device or system whose failure to perform can be reasonably expected to cause the failure of the life support device or system, or to affect its safety or effectiveness.

[cuidevices.com](http://cuidevices.com)