

**SERIES:** CPS-6964X-X105PM | **DESCRIPTION:** SIREN

**FEATURES**

- multiple tone options
- black or white case color
- mounting bracket
- 103 dB @ 1 m


**SPECIFICATIONS**

parameter	conditions/description	min	typ	max	units
rated voltage			24		Vdc
operating voltage		12		24	Vdc
current consumption	at rated voltage			80	mA
sound pressure level	at 1 m, rated voltage				
	one tone model	103			dB
	six tone model	102			dB
tone	one tone and six tone models				
dimensions	69 x 73 x 64				mm
weight			57		g
material	ABS (black or white models)				
terminal	wire leads				
operating temperature		-20		85	°C
storage temperature		-20		60	°C
RoHS	yes				
IP level	IP44				

**PART NUMBER KEY**
**CPS - 6964 X - X 105PM**

Base Number

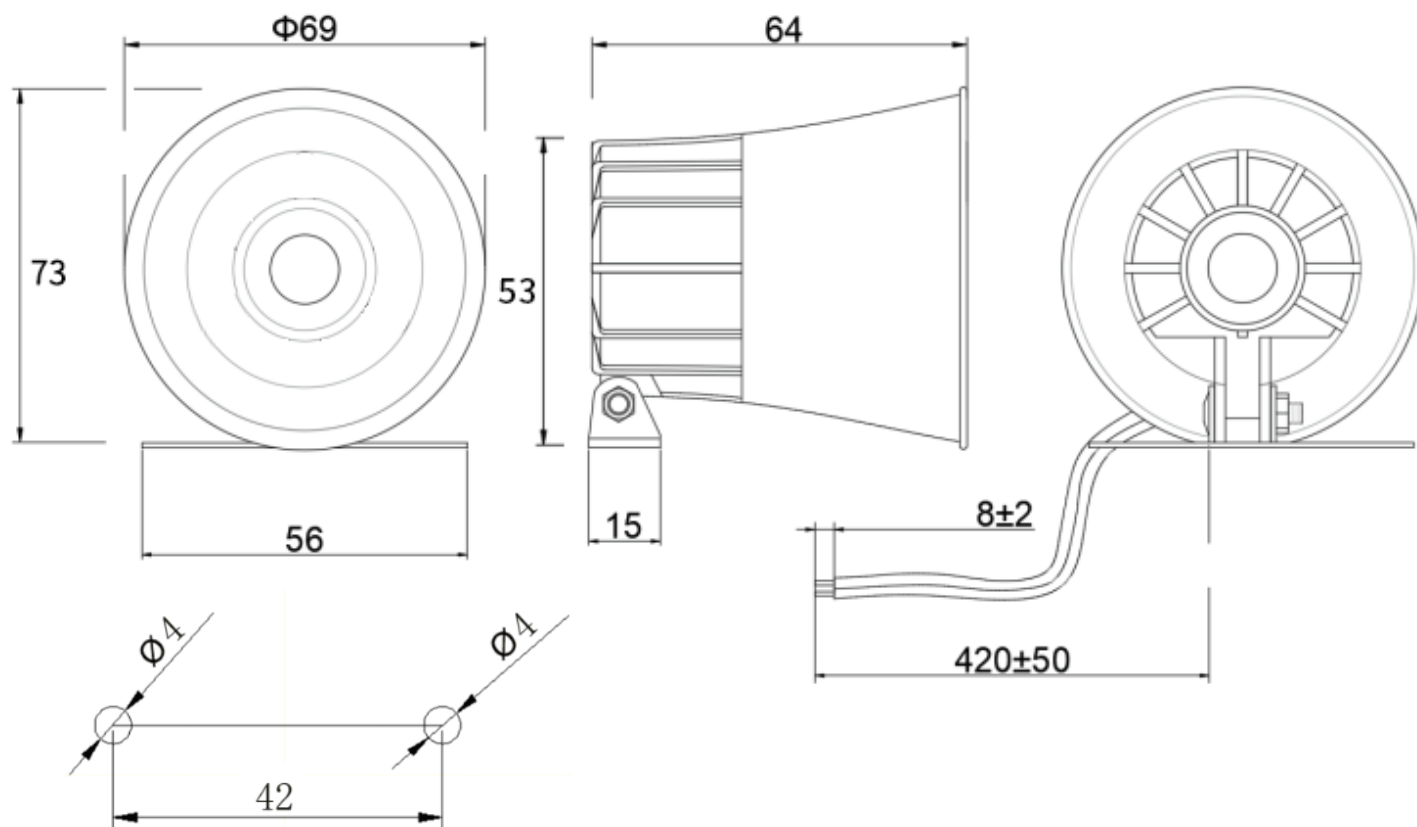
 Case Color Options:  
 "blank" = black  
 W = white

 Tone Options:  
 1 = one tone  
 6 = six tone

## MECHANICAL DRAWING

units: mm  
tolerance:  $\pm 3$  mm

wire: UL 1007, 24 AWG



Recommended Mounting Hole Layout

## REVISION HISTORY

rev.	description	date
1.0	initial release	11/09/2023

The revision history provided is for informational purposes only and is believed to be accurate.



CUI Devices offers a one (1) year limited warranty. Complete warranty information is listed on our website.

CUI Devices reserves the right to make changes to the product at any time without notice. Information provided by CUI Devices is believed to be accurate and reliable. However, no responsibility is assumed by CUI Devices for its use, nor for any infringements of patents or other rights of third parties which may result from its use.

CUI Devices products are not authorized or warranted for use as critical components in equipment that requires an extremely high level of reliability. A critical component is any component of a life support device or system whose failure to perform can be reasonably expected to cause the failure of the life support device or system, or to affect its safety or effectiveness.

[cuidevices.com](http://cuidevices.com)