

SERIES: CPS-133150-X125PM | **DESCRIPTION:** SIREN

FEATURES

- multiple tone options
- mounting bracket
- 105 dB @ 1 m


SPECIFICATIONS

parameter	conditions/description	min	typ	max	units
rated voltage			12		Vdc
operating voltage		6		12	Vdc
current consumption	at rated voltage			80	mA
sound pressure level	at 1 m, rated voltage				
	one tone model	105			dB
	six tone model	105			dB
	bibi tone model	105			dB
tone	one tone, six tone, bibi tone models				
dimensions	130 x 147 x 150				mm
weight			400		g
material	ABS (black)				
terminal	wire leads				
operating temperature		-20		85	°C
storage temperature		-20		60	°C
RoHS	yes				
IP level	IP44				

PART NUMBER KEY
CPS - 133150 - X 125PM

Base Number

Tone Options:

1 = one tone

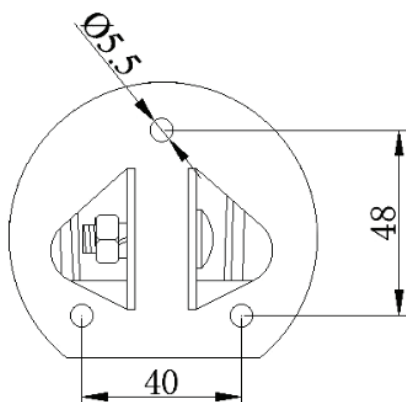
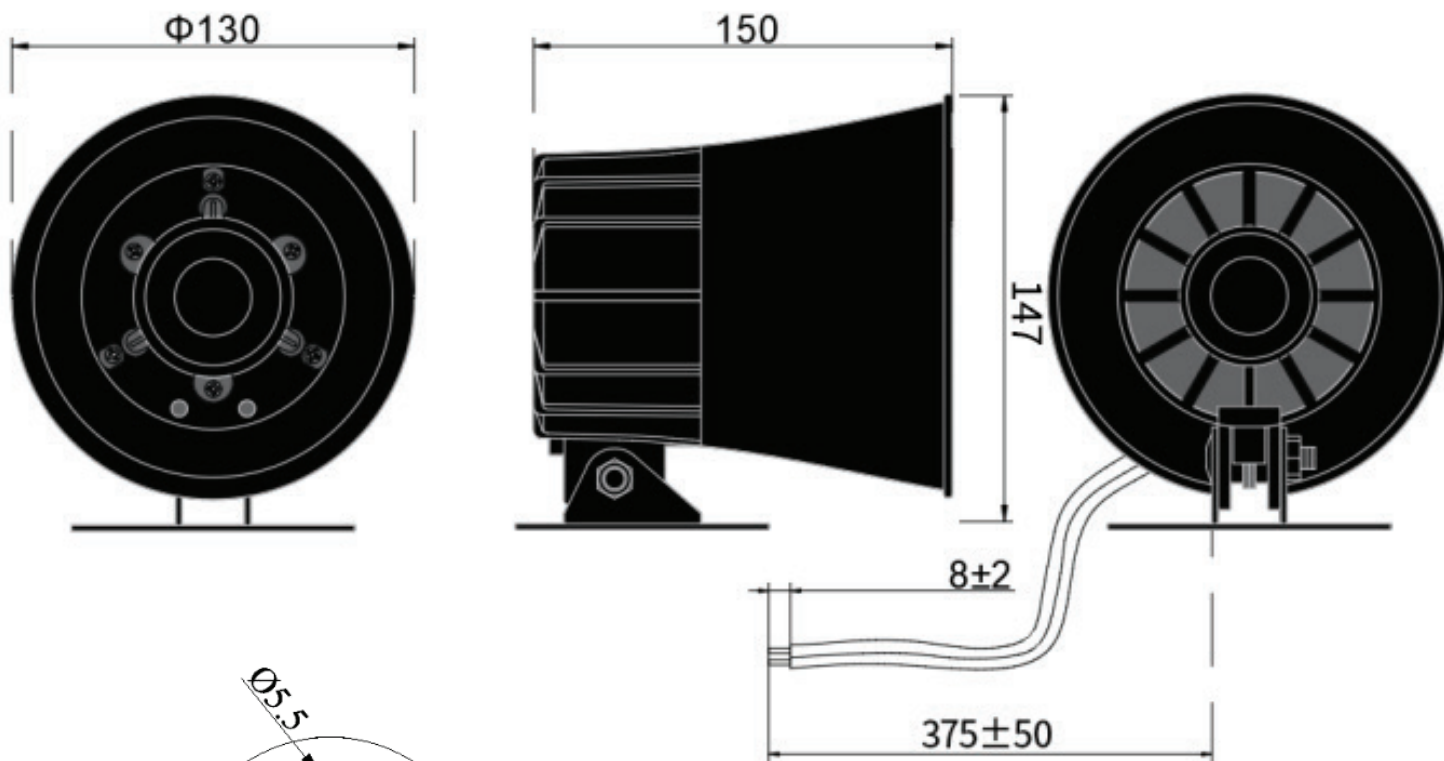
6 = six tone

B = bibi tone

MECHANICAL DRAWING

units: mm
tolerance: ± 3 mm

wire: UL 1007, 24 AWG



Recommended Mounting Hole Layout

REVISION HISTORY

rev.	description	date
1.0	initial release	11/09/2023

The revision history provided is for informational purposes only and is believed to be accurate.



CUI Devices offers a one (1) year limited warranty. Complete warranty information is listed on our website.

CUI Devices reserves the right to make changes to the product at any time without notice. Information provided by CUI Devices is believed to be accurate and reliable. However, no responsibility is assumed by CUI Devices for its use, nor for any infringements of patents or other rights of third parties which may result from its use.

CUI Devices products are not authorized or warranted for use as critical components in equipment that requires an extremely high level of reliability. A critical component is any component of a life support device or system whose failure to perform can be reasonably expected to cause the failure of the life support device or system, or to affect its safety or effectiveness.

cuidevices.com