

MODEL: CPIM-4410-80T | **DESCRIPTION:** PIEZO BUZZER INDICATOR

FEATURES

- meets signals of IEC 60601
- indicator
- multiple alarm tones
- general tone

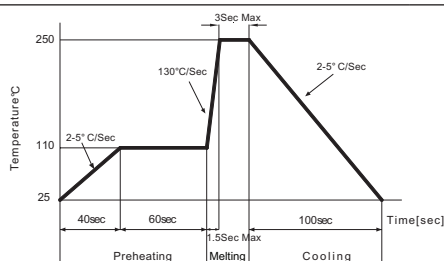

SPECIFICATIONS

parameter	conditions/description	min	typ	max	units
sound type	IEC60601-1-8, auditory alarm signals of general type				
rated voltage			5		Vdc
operating voltage		3.3		5	Vdc
current consumption	standby mode at rated voltage low, medium, high priority mode at rated voltage			12 20	mA mA
input peak current	at rated voltage			150	mA
rated frequency	low, medium, high alarm modes	150		4,000	Hz
sound pressure level	at 10 cm, rated voltage, low, medium, high alarm modes	80	90		dB
tone	silence [standby mode] low priority alarm signal [2 beeps repeat every 20 seconds] medium priority alarm signal [3 beeps repeat every 10 seconds] high priority alarm signal [10 beeps repeat every 3 seconds]				
dimensions	Ø44 x 10.25				mm
weight				8.6	g
material	ABS UL94 1/16" HB High Heat [black]				
terminal	pin type				
operating temperature		-30		85	°C
storage temperature		-30		85	°C
RoHS	yes				

Notes: 1. All specifications measured at 5-35°C, humidity at 45-85%, under 86-106kPa pressure, unless otherwise noted.

SOLDERABILITY

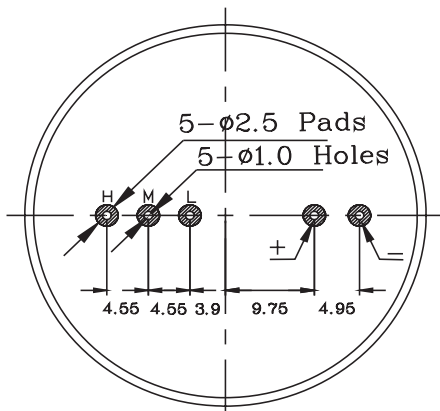
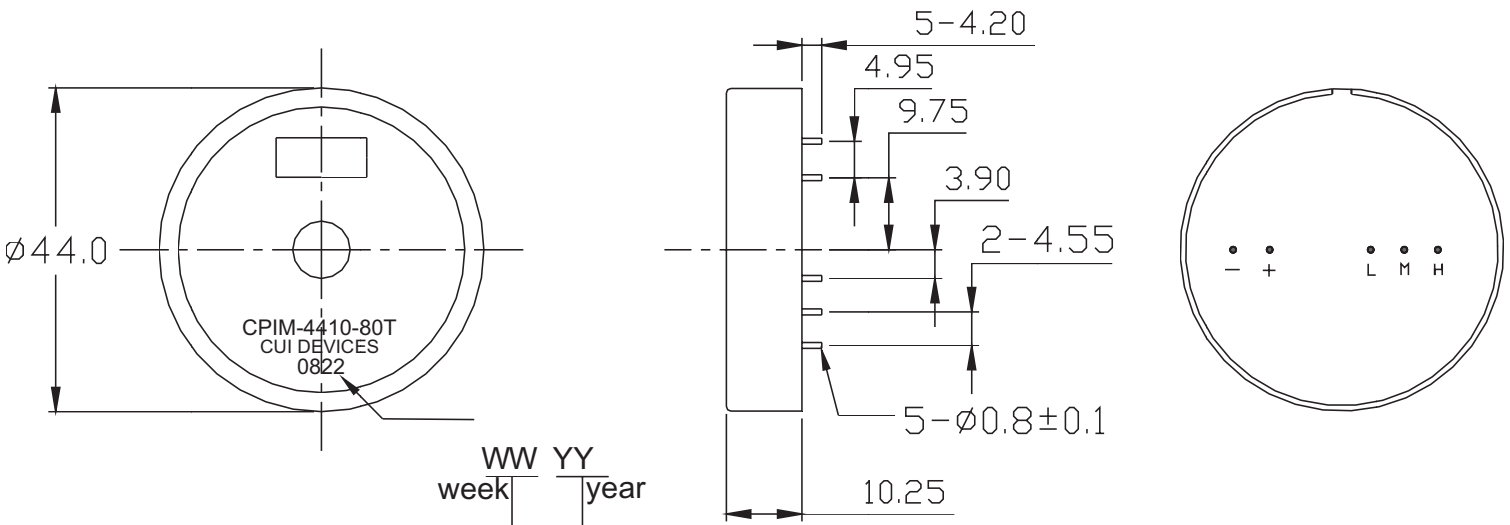
parameter	conditions/description	min	typ	max	units
hand soldering	for maximum 2 seconds	330		380	°C
wave soldering	see recommended wave soldering profile			250	°C



MECHANICAL DRAWING

units: mm
tolerance: ±0.5 mm

Tone	Connections
Silence [Standby mode]	[+] & [-] Connect to power supply
Low Priority Alarm Signal [2 beeps repeat every 20 seconds]	[+] & L connects to [-]
Medium Priority Alarm Signal [3 beeps repeat every 10 seconds]	[+] & M connects to [-]
High Priority Alarm Signal [10 beeps repeat every 3 seconds]	[+] & H connects to [-]



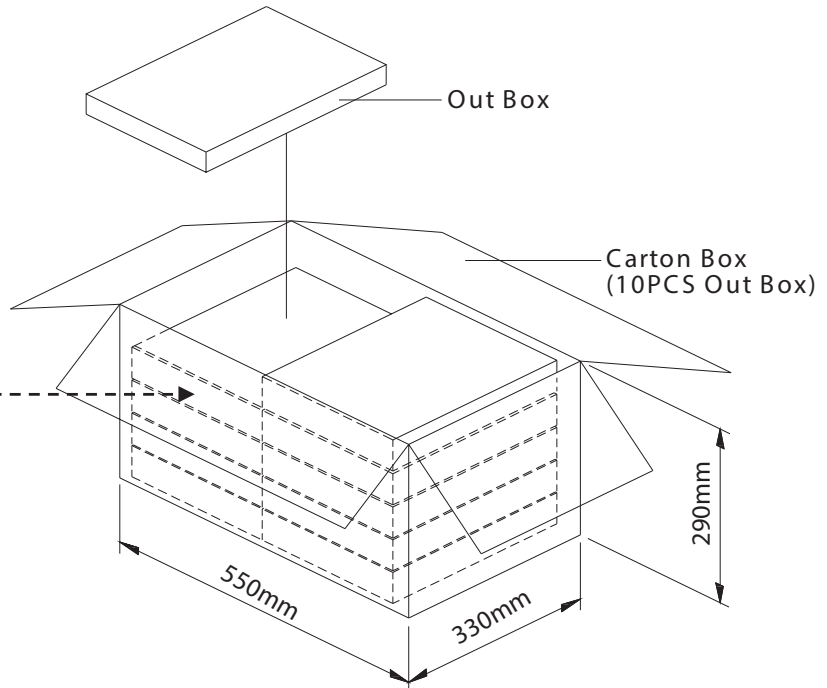
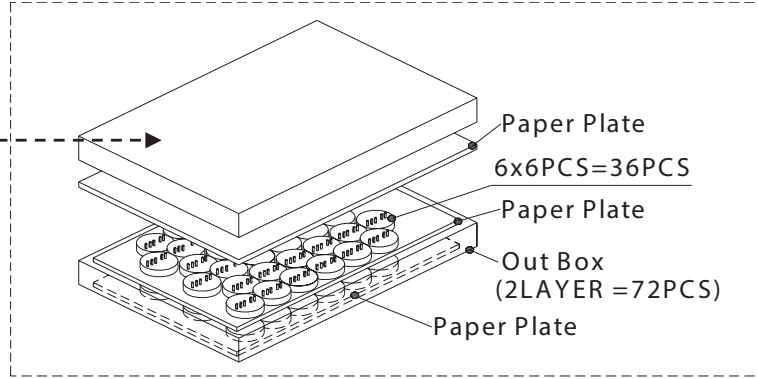
Recommended PCB Layout
Top View

PACKAGING

units: mm

Inner Box Size: 310 x 248 x 49 mm
 Tray QTY: 72 pcs per tray
 Carton Size: 550 x 330 x 290 mm
 Carton QTY: 720 pcs per carton

Lot No.	XXXXXXXXXX
Part No.	XXXXXXXXXX XXXXXXXXXX
Quantity.	XXXX Pcs
Date:	wwyy
RoHs Compliant	
MADE IN CHINA	
CUI DEVICES	



REVISION HISTORY

rev.	description	date
1.0	initial release	06/01/2023

The revision history provided is for informational purposes only and is believed to be accurate.



CUI Devices offers a one (1) year limited warranty. Complete warranty information is listed on our website.

CUI Devices reserves the right to make changes to the product at any time without notice. Information provided by CUI Devices is believed to be accurate and reliable. However, no responsibility is assumed by CUI Devices for its use, nor for any infringements of patents or other rights of third parties which may result from its use.

CUI Devices products are not authorized or warranted for use as critical components in equipment that requires an extremely high level of reliability. A critical component is any component of a life support device or system whose failure to perform can be reasonably expected to cause the failure of the life support device or system, or to affect its safety or effectiveness.

cuidevices.com