

MODEL: CPI-3016-90L080 | **DESCRIPTION:** PIEZO BUZZER INDICATOR

FEATURES

- piezo
- constant tone
- 90 dB at 30 cm
- lead wire


SPECIFICATIONS

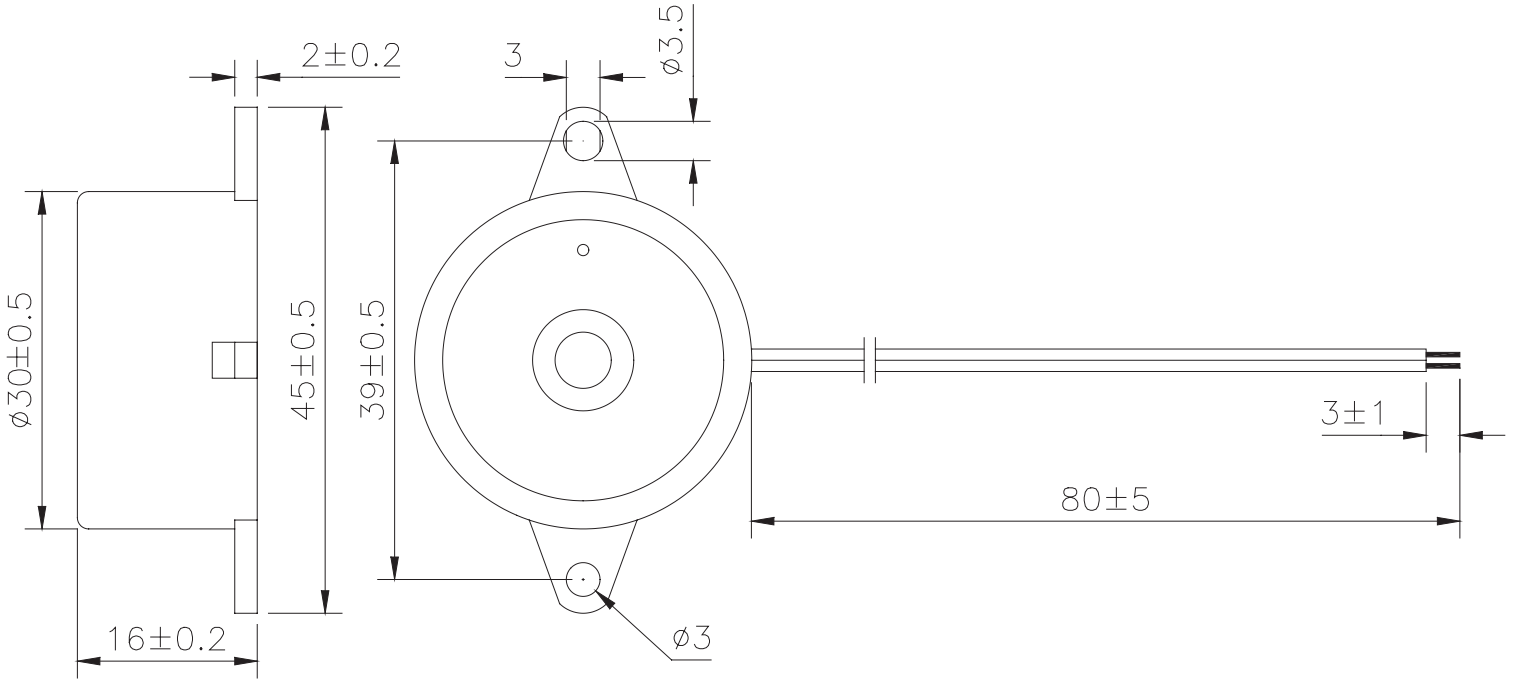
parameter	conditions/description	min	typ	max	units
rated voltage			12		Vdc
operating voltage		3		28	Vdc
current consumption	at rated voltage			15	mA
rated frequency		3,000	3,500	4,000	Hz
sound pressure level	at 30 cm, rated voltage	90			dB
tone	constant				
dimensions	Ø30 x 16				mm
weight			7.0		g
material	ABS 757 (UL94HB)				
terminal	wire leads [28 AWG]				
operating temperature		-20		70	°C
storage temperature		-30		80	°C
washable	no				
RoHS	yes				

Notes: 1. All specifications measured at 25±2C, humidity at 45-60%, unless otherwise noted.

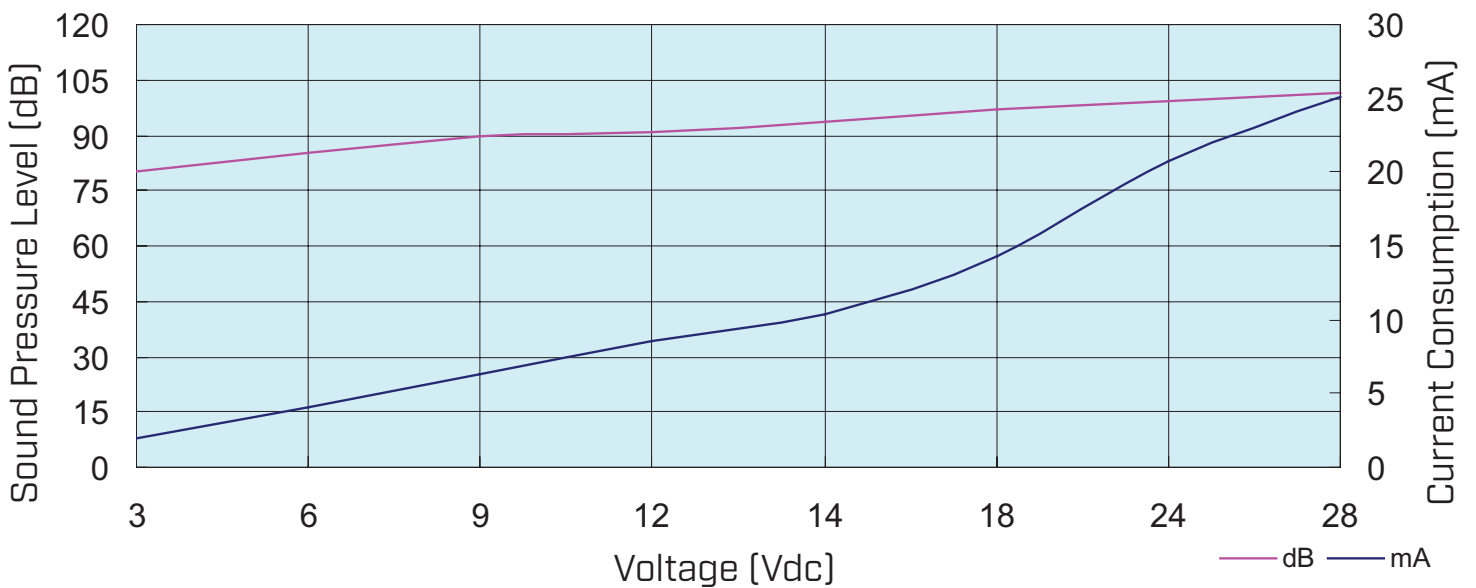
MECHANICAL DRAWING

units: mm
tolerance: ± 0.5 mm

wire: 28 AWG



PERFORMANCE CURVES



REVISION HISTORY

rev.	description	date
1.0	initial release	09/13/2023

The revision history provided is for informational purposes only and is believed to be accurate.



CUI Devices offers a one (1) year limited warranty. Complete warranty information is listed on our website.

CUI Devices reserves the right to make changes to the product at any time without notice. Information provided by CUI Devices is believed to be accurate and reliable. However, no responsibility is assumed by CUI Devices for its use, nor for any infringements of patents or other rights of third parties which may result from its use.

CUI Devices products are not authorized or warranted for use as critical components in equipment that requires an extremely high level of reliability. A critical component is any component of a life support device or system whose failure to perform can be reasonably expected to cause the failure of the life support device or system, or to affect its safety or effectiveness.

cuidevices.com