

MODEL: CPG-03-SMT-TR | **DESCRIPTION:** POGO PIN

FEATURES

- pogo pin
- surface mount
- gold plated
- 2.5 mm recommended working height

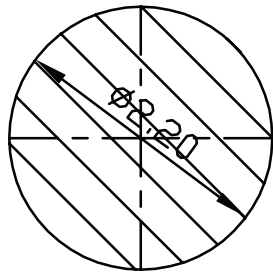
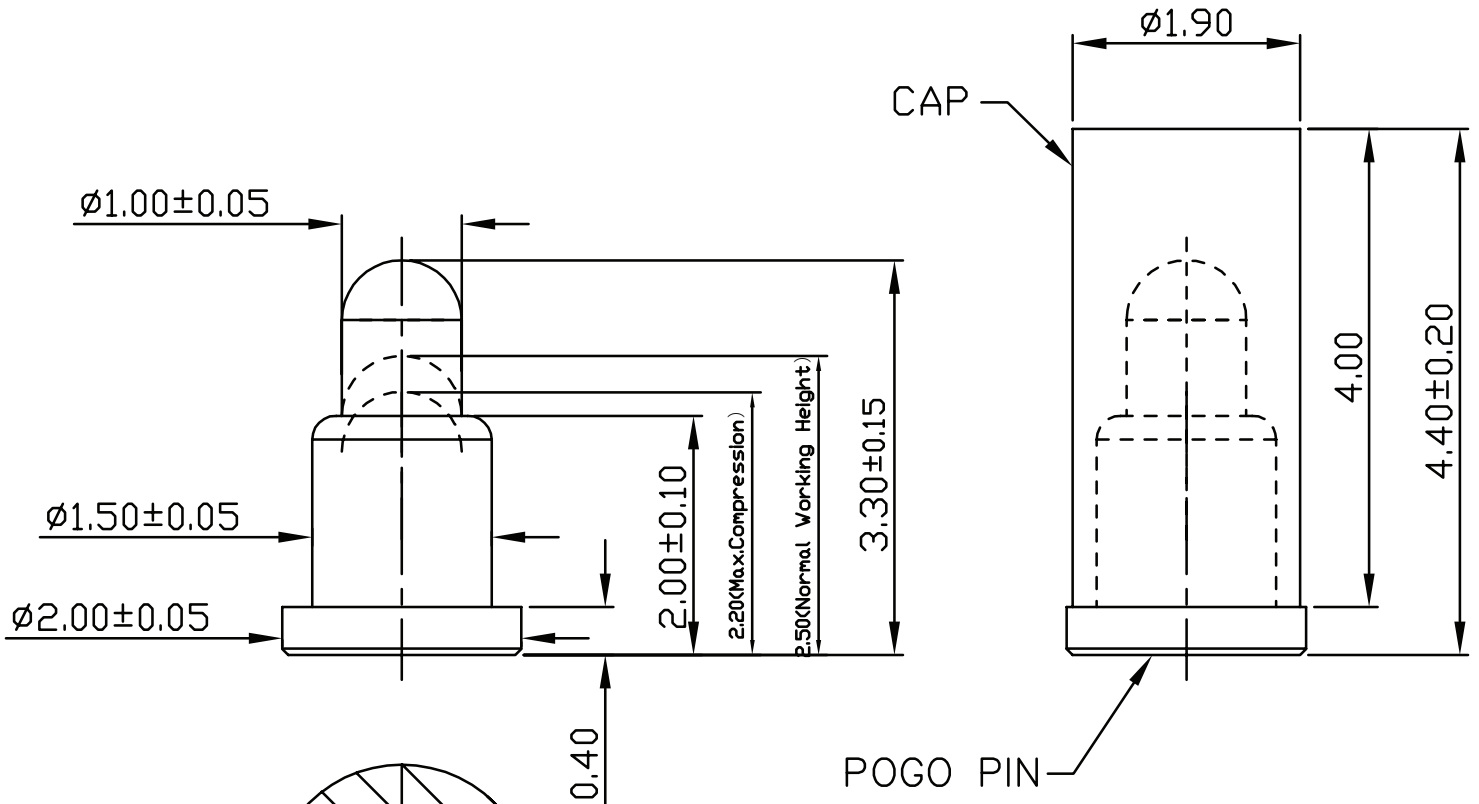

SPECIFICATIONS

| parameter | conditions/description | min | typ | max | units |
|-----------------------|------------------------|--------|-----|-----|--------|
| rated voltage | | | | 12 | Vdc |
| rated current | | | | 1 | A |
| contact resistance | at working height | | | 50 | mΩ |
| force at mid stroke | at working height | 25 | 45 | 65 | gf |
| initial force | | | 20 | | gf |
| mid stroke | | | 0.8 | | mm |
| full stroke | | | 1.1 | | mm |
| working height | | | 2.5 | | mm |
| life | | 10,000 | | | cycles |
| operating temperature | | -20 | | 85 | °C |
| RoHS | yes | | | | |

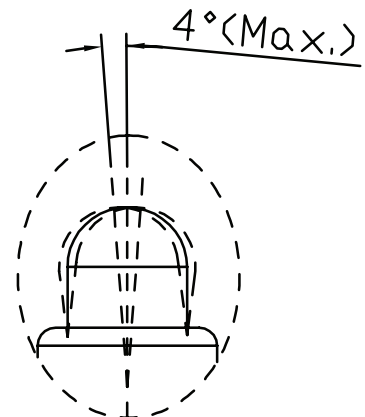
MECHANICAL DRAWING

units: mm
 tolerance:
 $X \leq 10$: ± 0.10 mm
 $10 < X \leq 20$: ± 0.15 mm
 PCB: ± 0.05 mm
 unless otherwise noted

| DESCRIPTION | MATERIAL | PLATING/COLOR |
|-------------|-------------|---------------------------------------------------|
| barrel | brass alloy | 10 μ " min gold over 50-120 μ " nickel |
| plunger | brass alloy | 20 μ " min gold over 50-120 μ " nickel |
| spring | SUS304 | |



Recommended PCB Layout
Top View



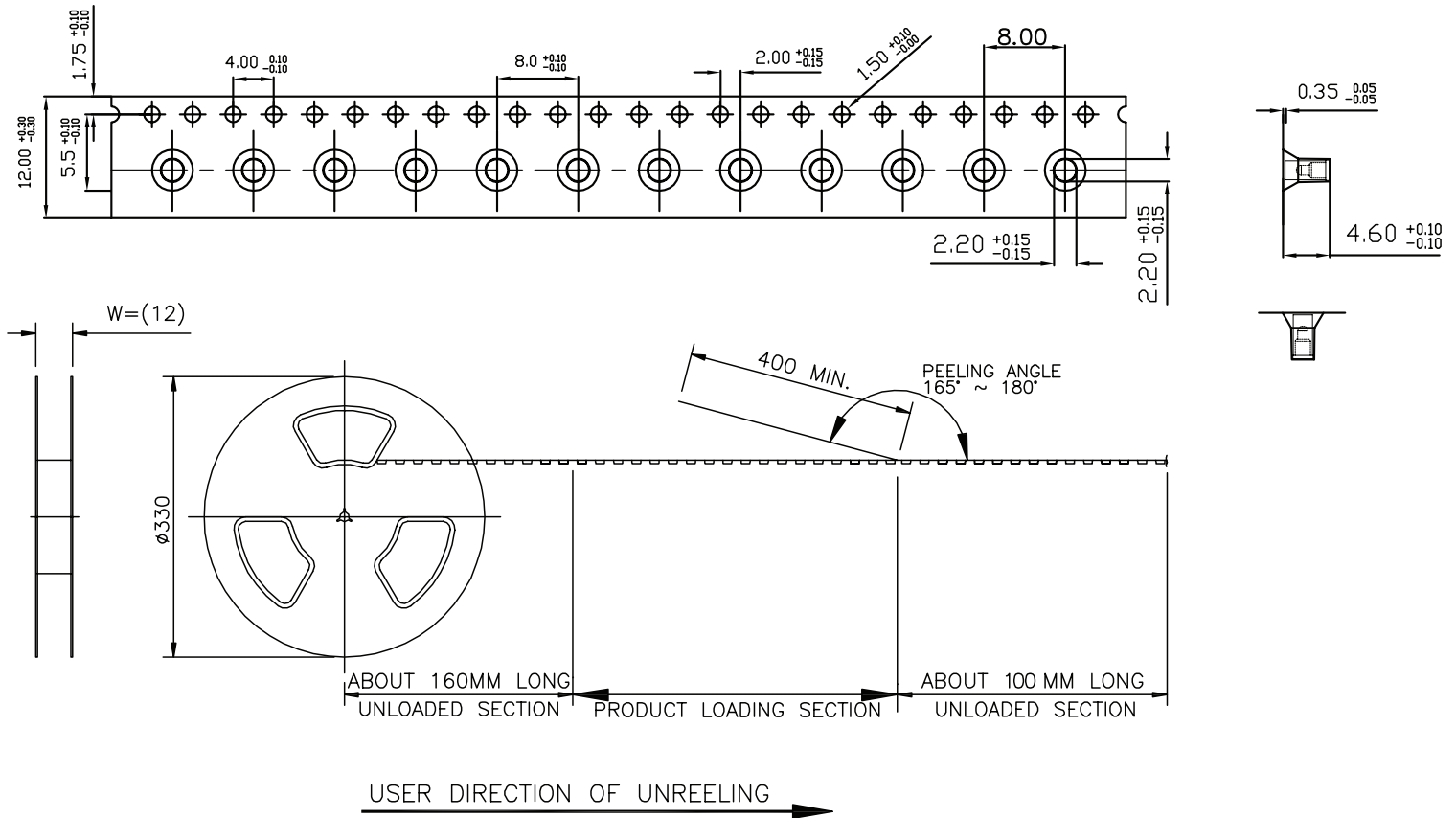
LIMIT YAW ANGLE $\pm 4^\circ$

PACKAGING

units: mm

Reel Size: $\varnothing 330$ mm

Reel QTY: 1,500 pcs per reel



REVISION HISTORY

| rev. | description | date |
|------|-----------------|------------|
| 1.0 | initial release | 01/18/2024 |

The revision history provided is for informational purposes only and is believed to be accurate.



CUI Devices offers a one (1) year limited warranty. Complete warranty information is listed on our website.

CUI Devices reserves the right to make changes to the product at any time without notice. Information provided by CUI Devices is believed to be accurate and reliable. However, no responsibility is assumed by CUI Devices for its use, nor for any infringements of patents or other rights of third parties which may result from its use.

CUI Devices products are not authorized or warranted for use as critical components in equipment that requires an extremely high level of reliability. A critical component is any component of a life support device or system whose failure to perform can be reasonably expected to cause the failure of the life support device or system, or to affect its safety or effectiveness.

cuidevices.com