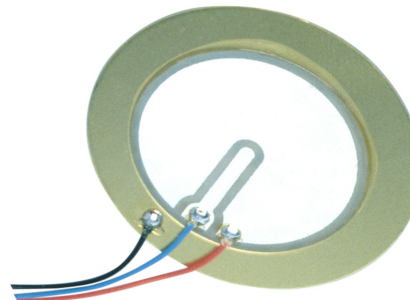


**MODEL:** CEB-35FD29 | **DESCRIPTION:** PIEZOELECTRIC DIAPHRAGM**FEATURES**

- piezo element
- flexibility to design housing
- feedback loop

**SPECIFICATIONS**

parameter	conditions/description	min	typ	max	units
operating voltage				30	Vp-p
resonant frequency		2,400	2,900	3,400	Hz
resonant impedance	only for piezo element without wire			500	$\Omega$
electrostatic capacity	at 1 kHz / 1 V	17,500	25,000	32,500	pF
dimensions	$\varnothing 35 \times 0.63$				mm
weight				3.5	g
material	brass				
terminal	wire type				
operating temperature		-20		70	$^{\circ}\text{C}$
storage temperature		-30		80	$^{\circ}\text{C}$
RoHS	yes				

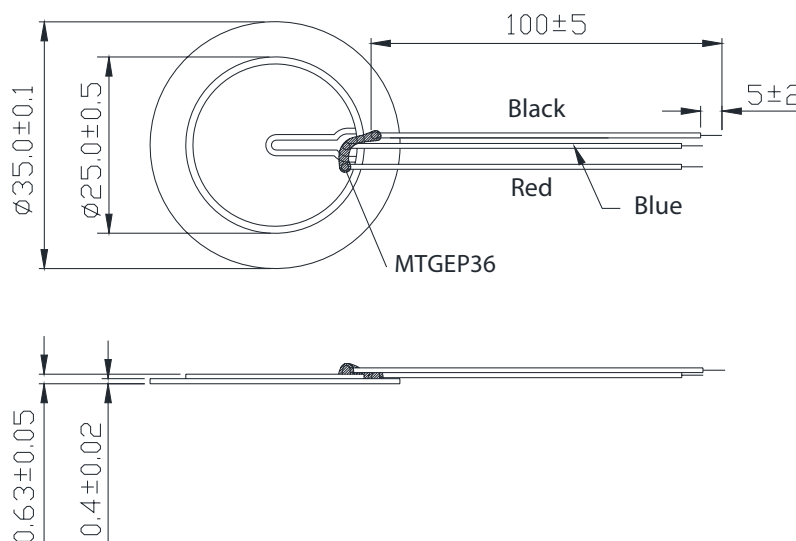
Notes: 1. All specifications measured at 5-35 $^{\circ}\text{C}$ , humidity at 45-85%, under 86-106kPa pressure, unless otherwise noted.

**MECHANICAL DRAWING**

units: mm

tolerance:  $\pm 0.5$  mm

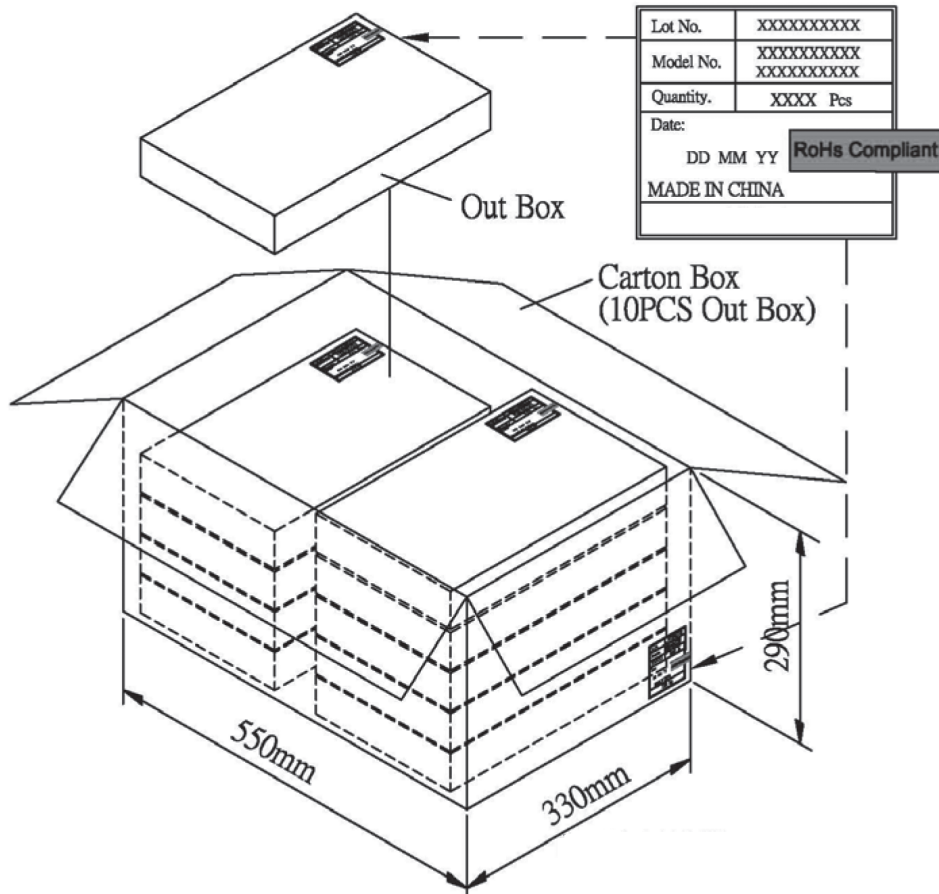
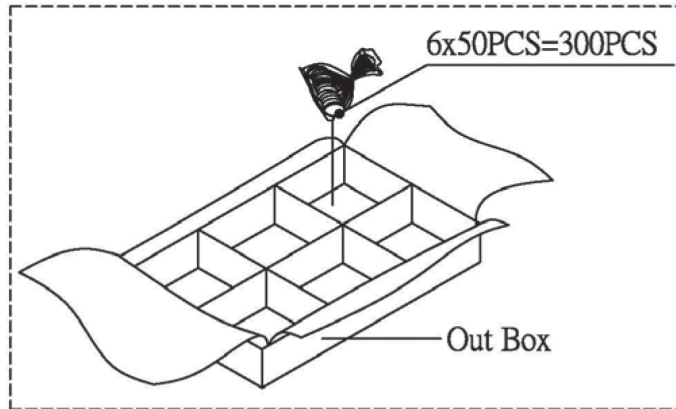
wire: UL 1571 32 AWG



## PACKAGING

units: mm

Inner Box QTY: 300 pcs per box  
 Carton Size: 550 x 330 x 290 mm  
 Carton QTY: 3,000 pcs per carton



## REVISION HISTORY

rev.	description	date
1.0	initial release	06/25/2007
1.01	increased depth to 0.63 mm	03/08/2018
1.02	brand update	03/16/2020
1.03	logo, datasheet style update	08/05/2022

The revision history provided is for informational purposes only and is believed to be accurate.



CUI Devices offers a one (1) year limited warranty. Complete warranty information is listed on our website.

CUI Devices reserves the right to make changes to the product at any time without notice. Information provided by CUI Devices is believed to be accurate and reliable. However, no responsibility is assumed by CUI Devices for its use, nor for any infringements of patents or other rights of third parties which may result from its use.

CUI Devices products are not authorized or warranted for use as critical components in equipment that requires an extremely high level of reliability. A critical component is any component of a life support device or system whose failure to perform can be reasonably expected to cause the failure of the life support device or system, or to affect its safety or effectiveness.

[cuidevices.com](http://cuidevices.com)