

MODEL: CDM-20008 | **DESCRIPTION:** SPEAKER**FEATURES**

- metal frame
- PEN cone

**SPECIFICATIONS**

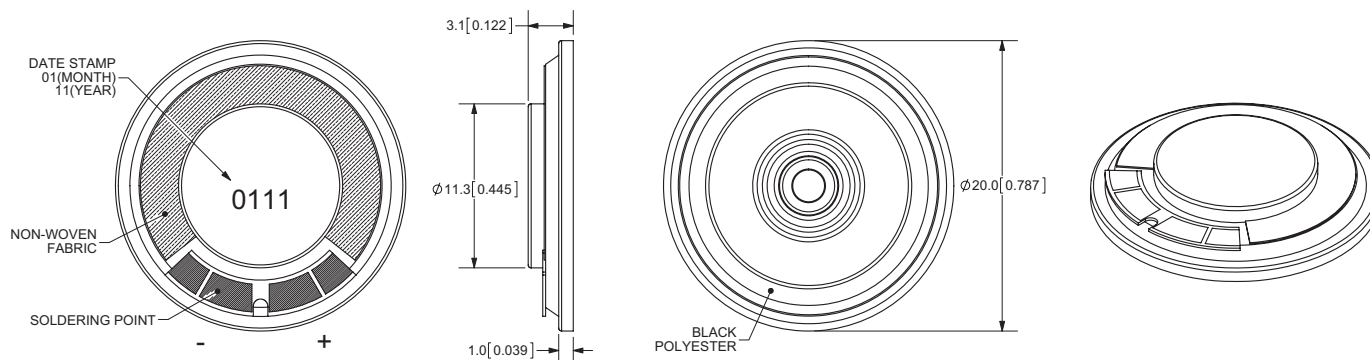
parameter	conditions/description	min	typ	max	units
diameter			20		mm
depth			3.1		mm
input power	max. power: IEC-60268-5, filter 60 s on / 120 s off, 10 cycles at room temp		0.3	0.5	W
impedance	at 1 kHz, 1 V	6.8	8	9.2	Ω
resonant frequency	at 1 V	448	560	672	Hz
sound pressure level	0.3 W, 10 cm ave. at 1.0, 1.2, 1.5, 2.0 kHz	89	92	95	dB
response				7,000	Hz
distortion	at 1 kHz, 0.3 W			5	%
buzz, rattle, etc.	must be normal at sine wave 1.54 V				
magnet size	8.0 x 1.0 mm (Nd-Fe-B)				
operating temperature		-20		55	$^{\circ}\text{C}$
weight			2.3		g
material	metal				
RoHS	yes				

SOLDERABILITY

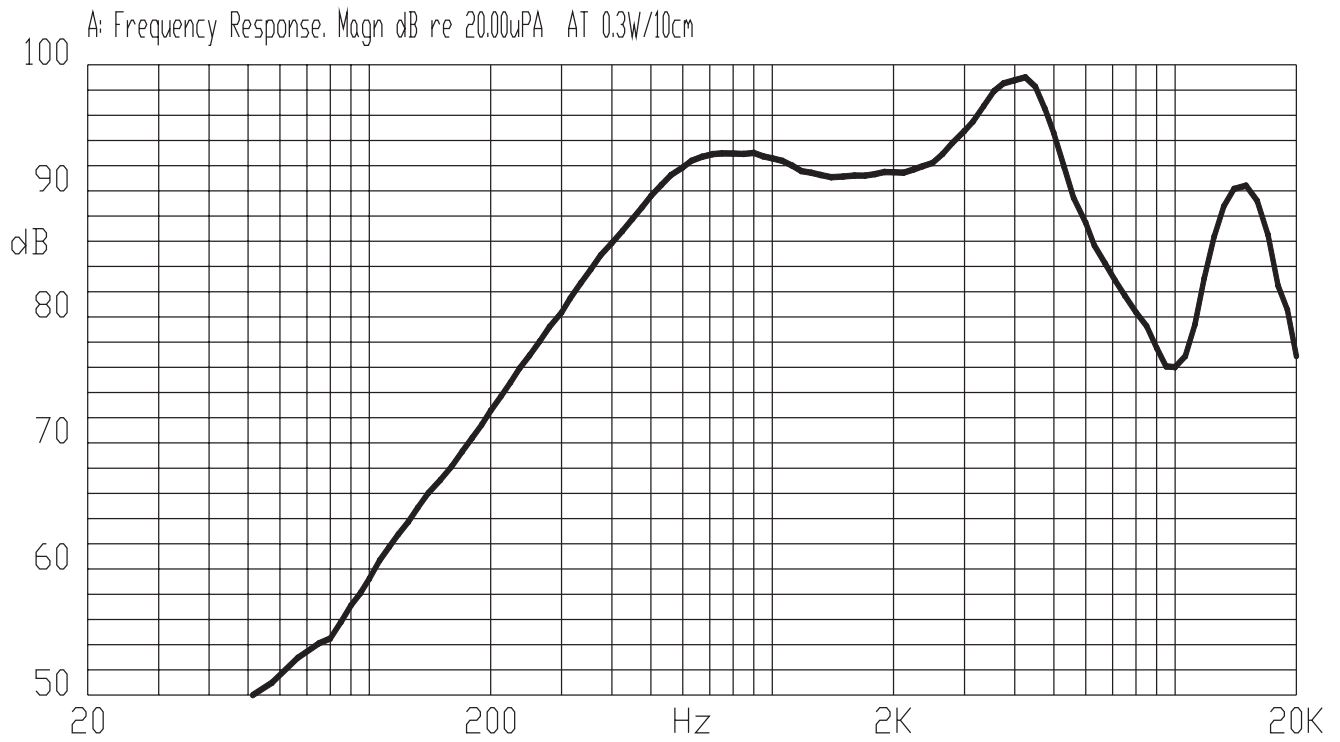
parameter	conditions/description
hand soldering	370 \pm 10 $^{\circ}\text{C}$ for 3 \pm 1 seconds

MECHANICAL DRAWING

units: mm

tolerance: \pm 0.5mm

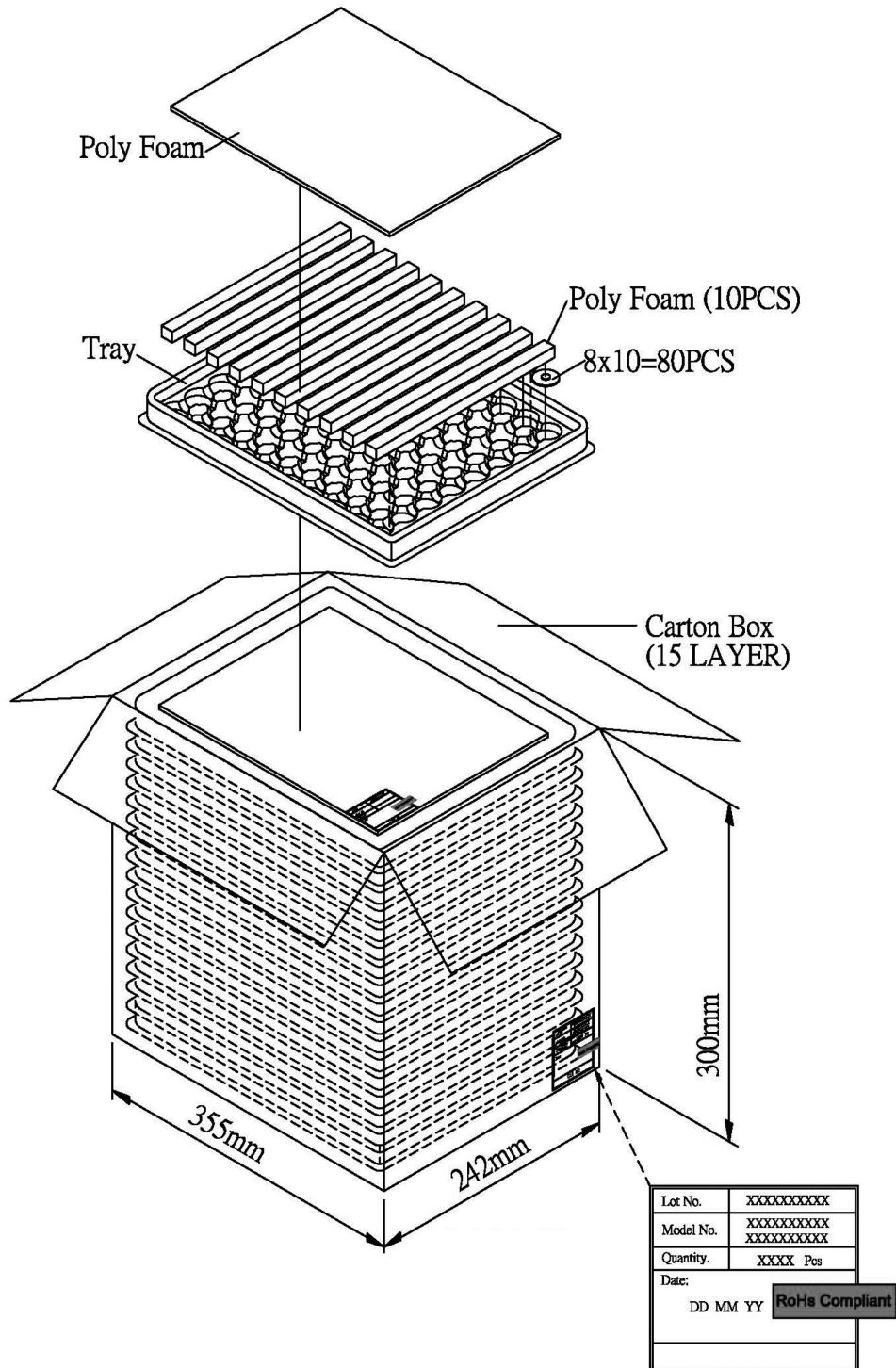
FREQUENCY RESPONSE CURVE



PACKAGING

units: mm

Tray QTY: 80 pcs per tray
 Carton Size: 355 x 242 x 300 mm
 Carton QTY: 1,200 pcs per carton



REVISION HISTORY

rev.	description	date
1.0	initial release	11/09/2011
1.01	updated datasheet	12/12/2017
1.02	updated packaging QTY, brand update	12/17/2019
1.03	logo, datasheet style update	08/05/2022

The revision history provided is for informational purposes only and is believed to be accurate.



CUI Devices offers a one (1) year limited warranty. Complete warranty information is listed on our website.

CUI Devices reserves the right to make changes to the product at any time without notice. Information provided by CUI Devices is believed to be accurate and reliable. However, no responsibility is assumed by CUI Devices for its use, nor for any infringements of patents or other rights of third parties which may result from its use.

CUI Devices products are not authorized or warranted for use as critical components in equipment that requires an extremely high level of reliability. A critical component is any component of a life support device or system whose failure to perform can be reasonably expected to cause the failure of the life support device or system, or to affect its safety or effectiveness.

cuidevices.com