

MODEL: CBLT-UA-UC-1 | **DESCRIPTION:** USB CABLE

FEATURES

- USB 3.2 Gen 1
- type A male to type C male
- 1 meter
- TPE jacket
- halogen free


SPECIFICATIONS

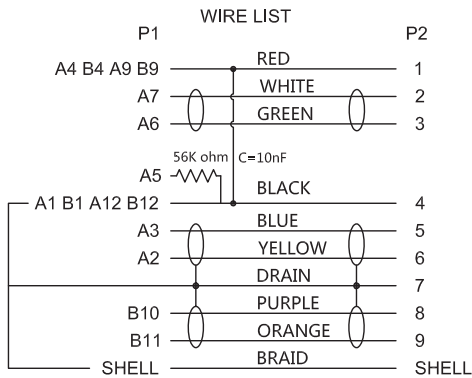
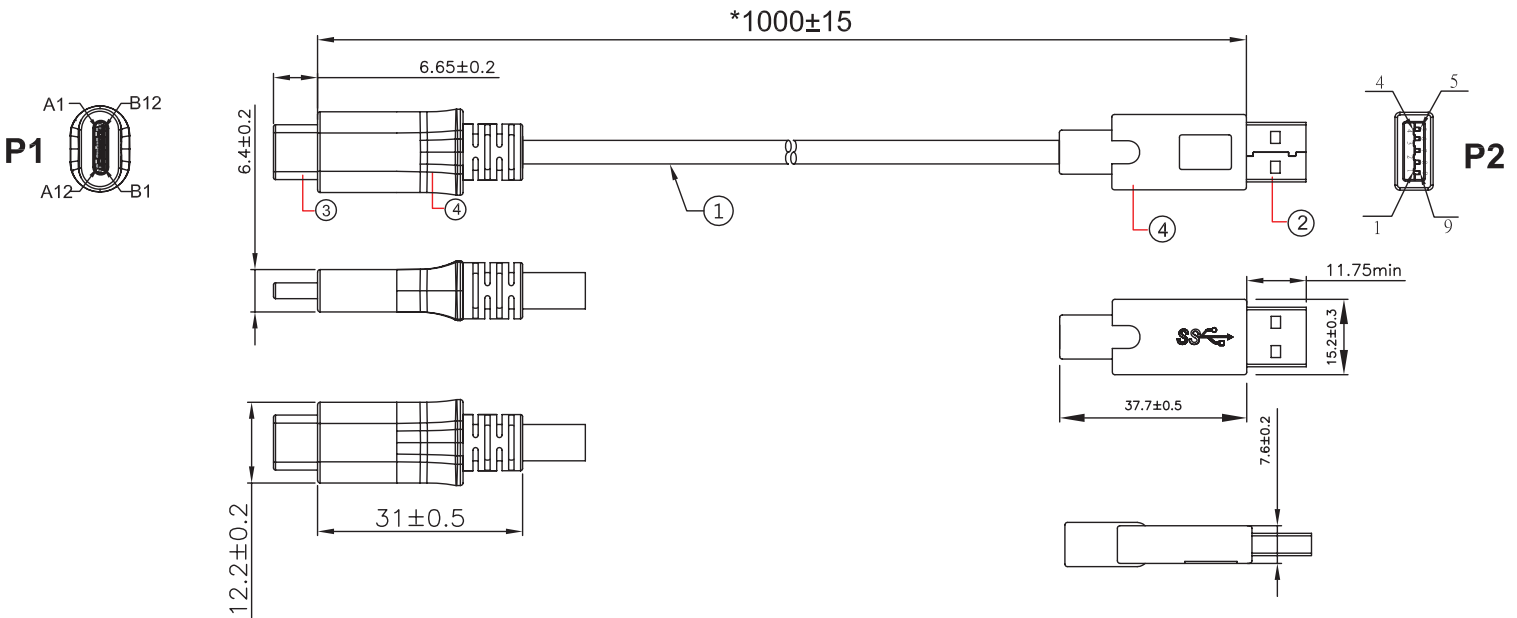
parameter	conditions/description	min	typ	max	units
USB standard	USB 3.2 Gen 1				
rated voltage			20		Vdc
rated current				3	A
conductor resistance				5	Ω
insulation resistance	at 300 Vdc	10			M Ω
operating temperature		-20		80	$^{\circ}$ C
storage temperature		-20		80	$^{\circ}$ C
flammability rating	UL94V-0				
RoHS	yes				

MECHANICAL DRAWING

units: mm
 tolerance:
 X.X ±0.5 mm
 X.XX ±0.3 mm
 X.XXX ±0.1 mm
 unless otherwise noted

critical dimension: *

ITEM	DESCRIPTION	MATERIAL	PLATING/COLOR
1	cable	no UL OD: 5.5±0.15 mm TPE	black
2	connector 2	USB 3.2 Gen 1 Type A	insulator: blue shell: nickel term.: gold flash
3	connector 1	USB 3.2 Gen 1 Type C	insulator: black shell: nickel term.: gold flash
4	over mold	TPE	black

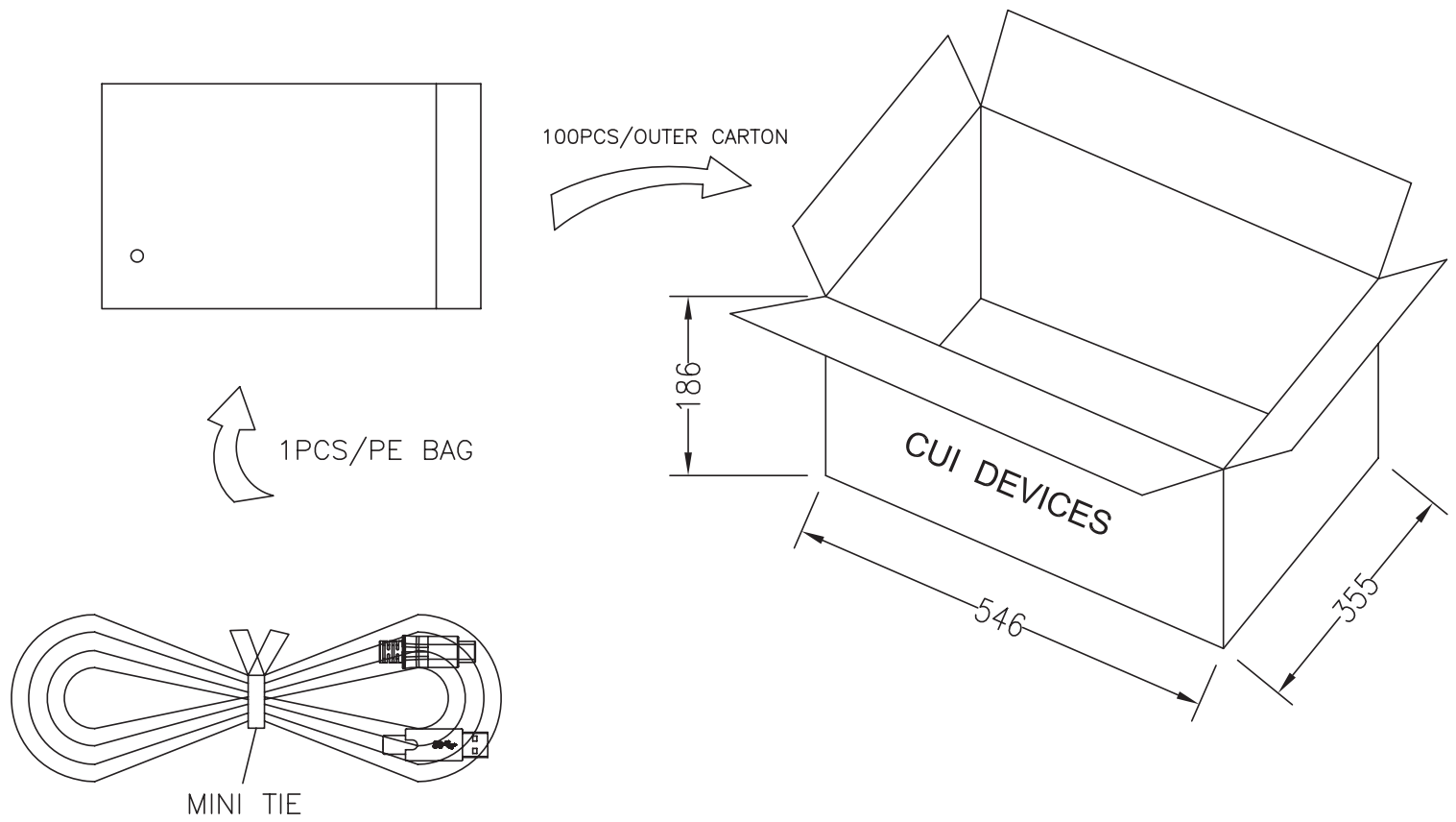


PACKAGING

units: mm

Carton Size: 546 x 355 x 186 mm

Carton QTY: 100 pcs



REVISION HISTORY

rev.	description	date
1.0	initial release	12/11/2018
1.01	brand update	02/17/2020
1.02	modified design, changed factory	01/28/2022
1.03	updated USB standard	05/10/2022
1.04	logo, datasheet style update	08/05/2022

The revision history provided is for informational purposes only and is believed to be accurate.



CUI Devices offers a one (1) year limited warranty. Complete warranty information is listed on our website.

CUI Devices reserves the right to make changes to the product at any time without notice. Information provided by CUI Devices is believed to be accurate and reliable. However, no responsibility is assumed by CUI Devices for its use, nor for any infringements of patents or other rights of third parties which may result from its use.

CUI Devices products are not authorized or warranted for use as critical components in equipment that requires an extremely high level of reliability. A critical component is any component of a life support device or system whose failure to perform can be reasonably expected to cause the failure of the life support device or system, or to affect its safety or effectiveness.

cuidevices.com