

Product Change Notice (PCN)

Date: **05/23/2023**

PCN Number: **PCN-0454916R-01**

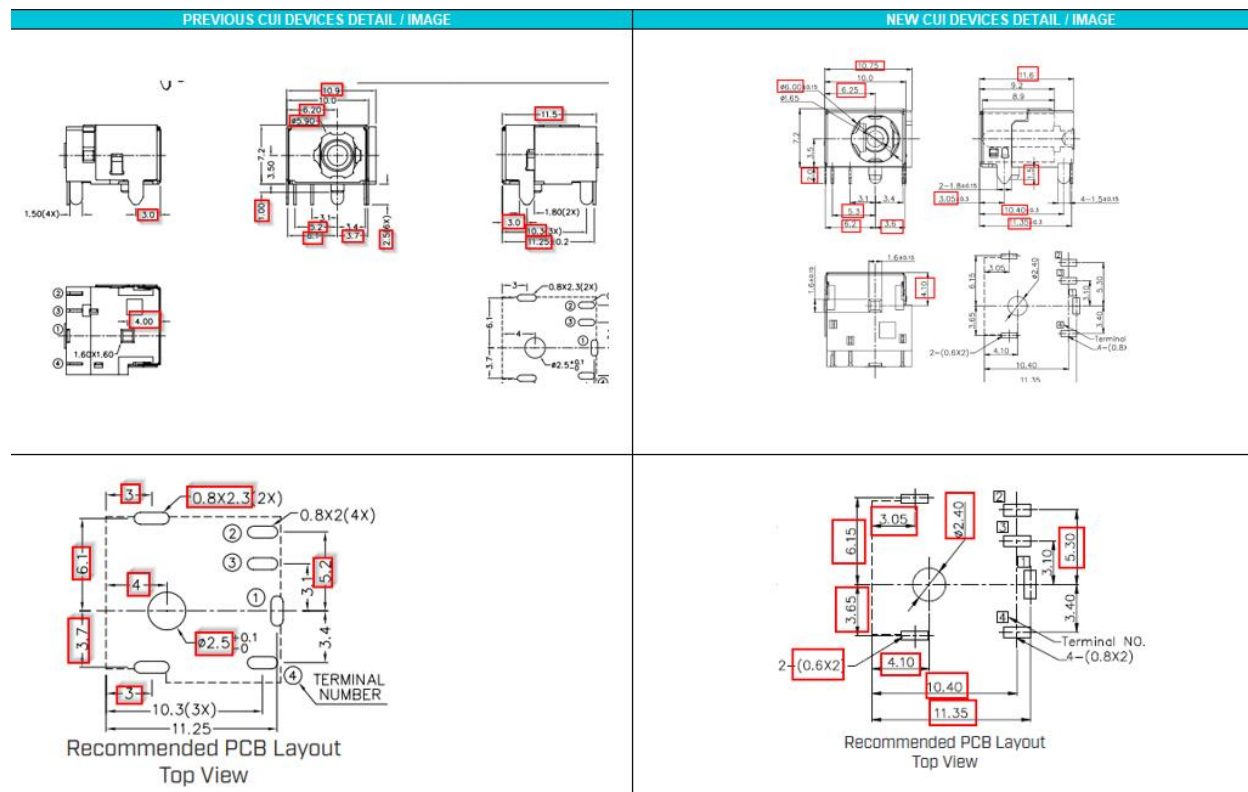
To Our Customers:

We appreciate your use of our products. Our commitment in maintaining and improving processes is demonstrated by plans to enhance our product quality, reliability, and manufacturability. The purpose of this notice is to inform you of a product change.

Product(s) Affected: *PJ-085H*

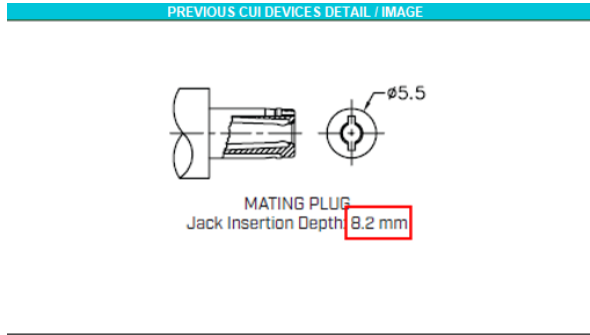
Reason(s) for Change: *Manufacturing process improvements*

Description of Change: *Minor Housing and footprint differences. Material Change on the housing and terminals. See image Below*

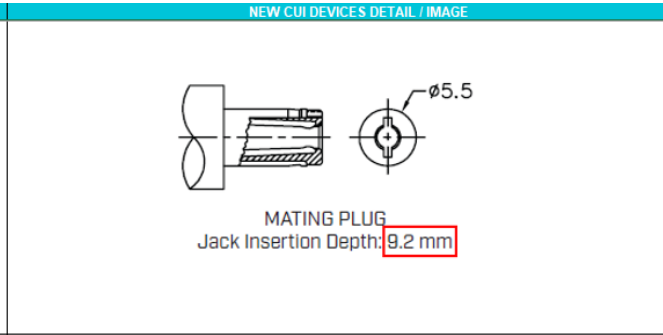


F-723-001

Revision: A



	MATERIAL	PLATING
center pin	copper	nickel
terminal 1	brass	silver
terminal 2	copper alloy	silver
terminal 3	brass	silver
terminal 4	copper alloy	silver
shield A	brass	nickel
shield B	stainless steel	
insulator	PA10T	



DESCRIPTION	MATERIAL	PLATING
center pin	brass	nickel
terminal 1	brass	silver
terminal 2	phosphor bronze	silver
terminal 3	brass	silver
terminal 4	phosphor bronze	silver
shield A	brass	nickel
shield B	stainless steel	clean
housing	PA10T (UL94V-D)	black

PREVIOUS CUI DEVICES DETAIL / IMAGE

SOLDERABILITY

parameter	conditions/description	min	typ	max	units
reel storage	at relative humidity <80%		40		°C
reflow soldering ¹	see reflow profile	255	280	285	°C
drying conditions ²	parts in reel: bake at 40°C ±5°C for 72 hours parts removed from reel: bake at 40°C ±5°C for 10 hours				°C

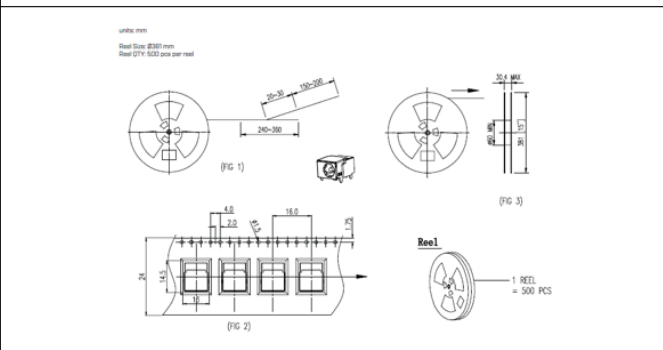
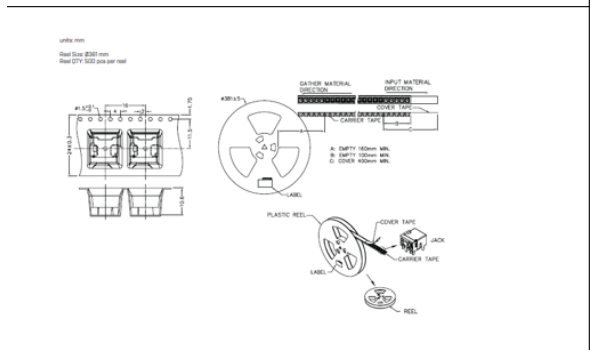
Note: 1. It is recommended to reflow solder within 72 hours from opening vacuum packaging at a temperature <30°C & relative humidity <85%.
2. When unsealing four 10s by <172 hours.

NEW CUI DEVICES DETAIL / IMAGE

SOLDERABILITY

parameter	conditions/description	min	typ	max	units
reel storage	at relative humidity <80%		40		°C
reflow soldering ¹	see reflow profile	255	280	285	°C
drying conditions ²	parts in reel: bake at 40°C ±5°C for 72 hours parts removed from reel: bake at 40°C ±5°C for 10 hours				°C

Note: 1. It is recommended to reflow solder within 72 hours from opening vacuum packaging at a temperature <30°C & relative humidity <85%.
2. When unsealing four 10s by <172 hours.





Affected Date Code: 05/19/2023

Product Availability: *Pertaining to market availability*

PCN Approval:

Operations/Quality

A handwritten signature in black ink, appearing to read "Robert D. Davis", is written over a horizontal line.

Product Management

A handwritten signature in black ink is written over a horizontal line.