



Product Change Notice (PCN)

Date: 10/3/2023

PCN Number: PCN-0454823R-01

To Our Customers:

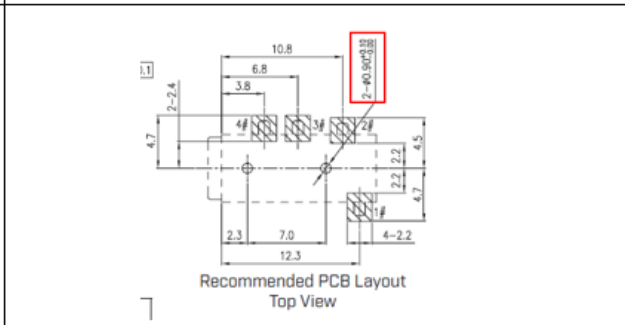
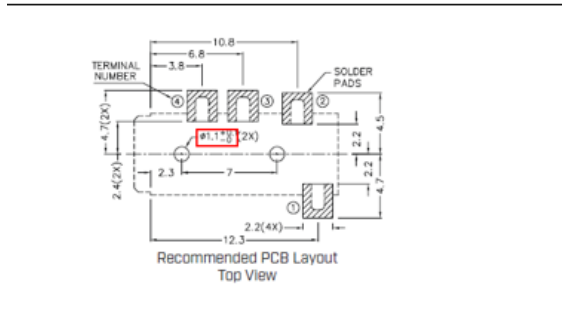
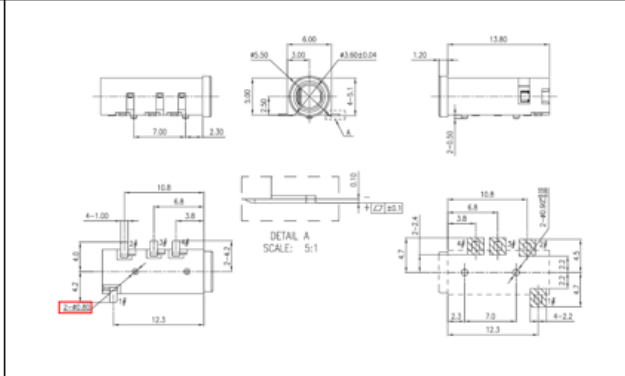
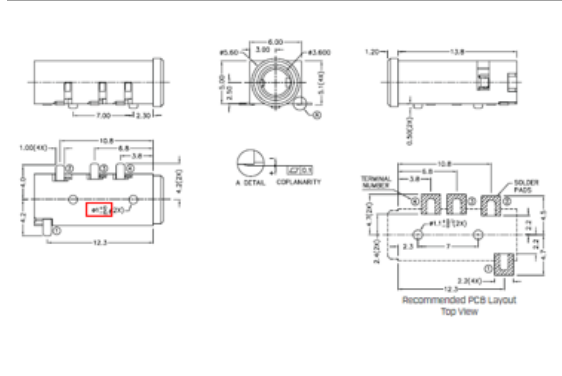
We appreciate your use of our products. Our commitment in maintaining and improving processes is demonstrated by plans to enhance our product quality, reliability, and manufacturability. The purpose of this notice is to inform you of a product change.

Product(s) Affected: SJ2-3574A-SMT-TR

Reason(s) for Change: *Manufacturing Improvement processes*

Description of Change: *Minor Layout and Material Difference. See image Below*

PREVIOUS CUI DEVICES DETAIL / IMAGE NEW CUI DEVICES DETAIL / IMAGE



| | MATERIAL | PLATING |
|------------|--------------|---------|
| terminal 1 | copper alloy | silver |
| terminal 2 | copper alloy | silver |
| terminal 3 | copper alloy | silver |
| terminal 4 | copper alloy | silver |
| plastic | PA10T | |

| DESCRIPTION | MATERIAL | PLATING/COLOR |
|-------------|------------------------------|---------------|
| terminal 1 | phosphor copper t=0.20 mm | silver |
| terminal 2 | phosphor copper t=0.20 mm | silver |
| terminal 3 | phosphor copper t=0.20 mm | silver |
| terminal 4 | phosphor copper t=0.20 mm | silver |
| housing | PA10T (UL94V-0) | black |

PREVIOUS CUI DEVICES DETAIL / IMAGE

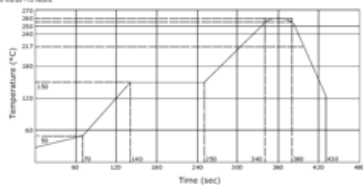
SPECIFICATIONS

| parameter | conditions/description | min | typ | max | units |
|---------------------------------|--|-----|-------|-----|--------|
| rated input voltage | | | 12 | | Vdc |
| rated input current | | | | 1 | A |
| contact resistance ¹ | between terminal and mating plug between terminal in a closed circuit | | 50 | 30 | mΩ |
| insulation resistance | at 500 Vdc | 100 | | | MΩ |
| voltage withstand | for 1 minute | | | 500 | Vdc |
| insertion/withdrawal force | | 0.3 | | 3 | kg |
| operating temperature | | -25 | | 85 | °C |
| life | at a rate of 24 cycles/minute | | 5,000 | | cycles |
| flammability rating | UL94V-0 | | | | |
| RoHS | yes | | | | |

SOLDERABILITY

| parameter | conditions/description | min | typ | max | units |
|--------------------------------|--|-----|-----|-----|-------|
| reel storage | at relative humidity <80% | | | 40 | °C |
| reflow soldering ¹ | see reflow profile | 255 | 260 | 265 | °C |
| drying conditions ² | parts in reel, bake at 40°C ±5°C for 72 hours parts removed from reel, bake at 40°C ±5°C for 10 hours | | | | |

Note: 1. Must reflow solder within 72 hours from opening vacuum packaging at a temperature <2°C of relative humidity <80%.
2. After uncoiling tape 90% to 95%.



NEW CUI DEVICES DETAIL / IMAGE

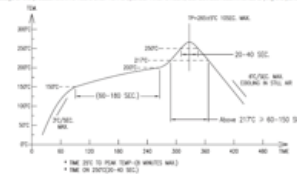
SPECIFICATIONS

| parameter | conditions/description | min | typ | max | units |
|----------------------------|------------------------|-----|-------|-----|--------|
| rated input voltage | | | 12 | | Vdc |
| rated input current | | | | 1 | A |
| contact resistance | | | | 50 | mΩ |
| insulation resistance | at 500 Vdc | 100 | | | MΩ |
| voltage withstand | for 1 minute | | | 500 | Vdc |
| insertion/withdrawal force | | 0.3 | | 3 | kg |
| operating temperature | | -40 | | 85 | °C |
| life | | | 5,000 | | cycles |
| flammability rating | UL94V-0 | | | | |
| RoHS | yes | | | | |

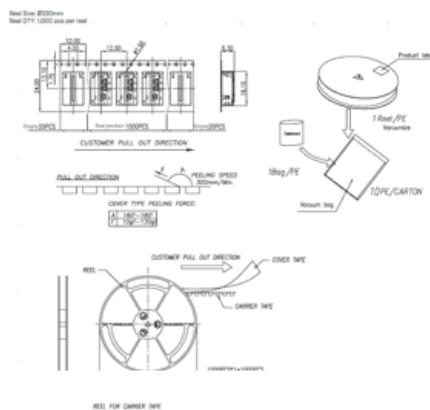
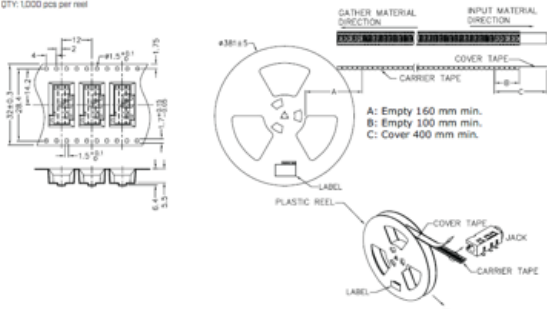
SOLDERABILITY

| parameter | conditions/description | min | typ | max | units |
|------------------|---|-----|-----|-----|-------|
| hand soldering | for 3-4 seconds | 340 | 350 | 360 | °C |
| reel storage | -5-35°C, 25-80% humidity reel opened use within 1 month reel unopened use within 6 months | | | | |
| reflow soldering | see reflow profile | 250 | 255 | 270 | °C |

Note: 1. CUI Devices recommends usage of the product within 2 hours after 194 is opened. After 2 hours, CUI Devices recommends drying the parts prior to use.



Reel Size Ø300 mm
Reel QTY: 1000 parts per reel





Affected Date Code: **07/27/2023**

Product Availability: *Pertaining to market availability*

PCN Approval:

Operations/Quality

A handwritten signature in black ink, appearing to read "Robert D. Davis", written over a horizontal line.

Product Management

A handwritten signature in black ink, written over a horizontal line. The signature is partially obscured by a light gray rectangular box.