

Product Change Notice (PCN)

Date: 11/21/2019

PCN Number: PCN-0451317R-01

To Our Customers:

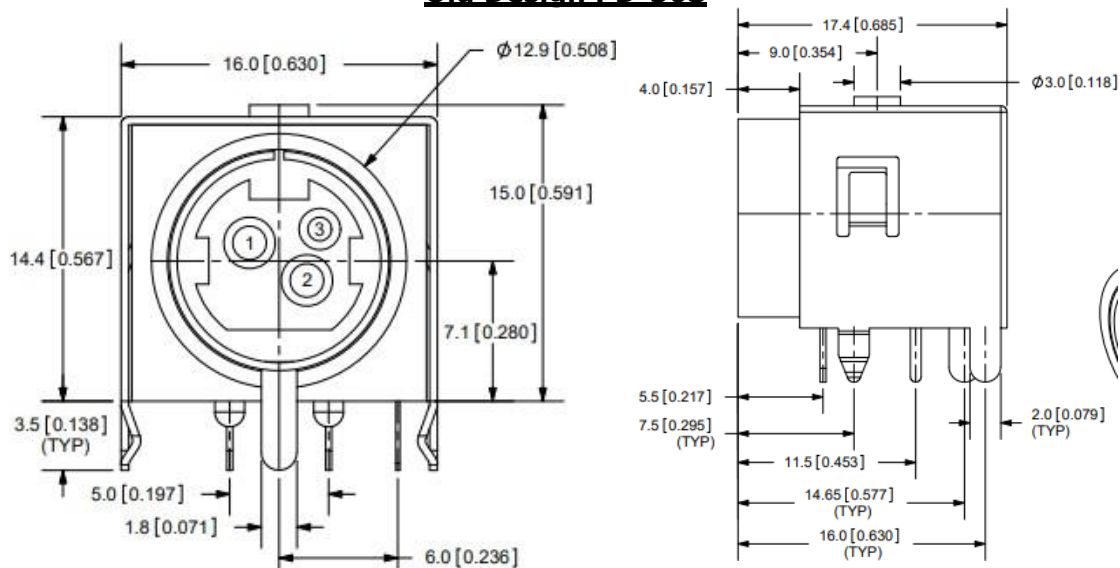
We appreciate your use of CUI Devices products. Our commitment in maintaining and improving processes is demonstrated by plans to enhance our product quality, reliability and manufacturability. The purpose of this notice is to inform you of a product change.

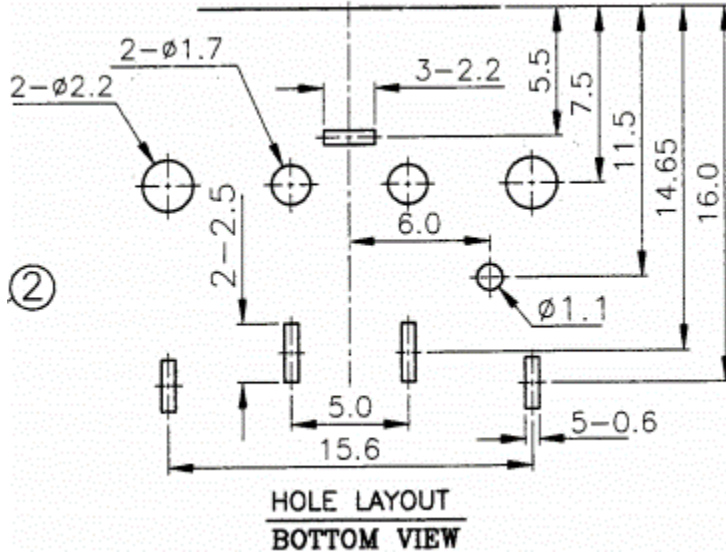
Product(s) Affected: PD-30S and PD-40S

Reason(s) for Change: Manufacturing build location change

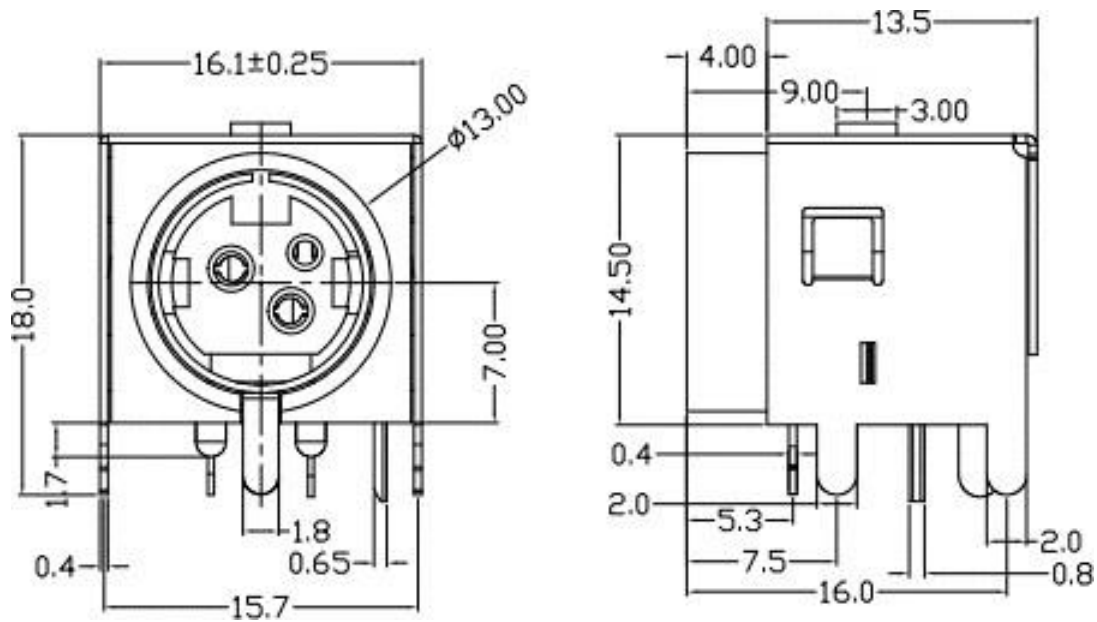
Description of Change: Housing, materials, and PCB layout changes as shown below.

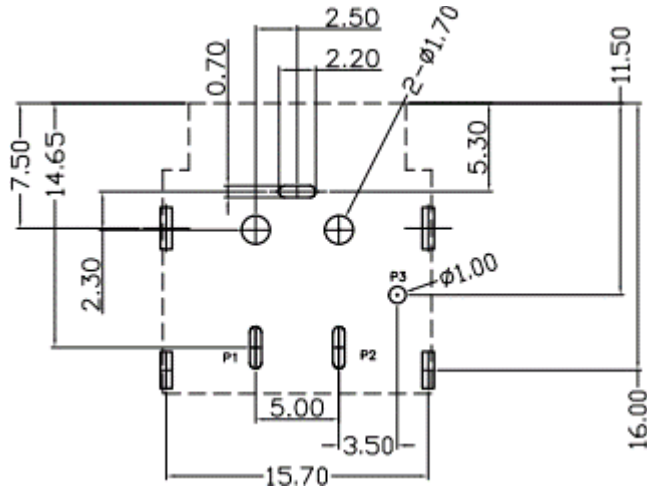
Old Design PD-30S



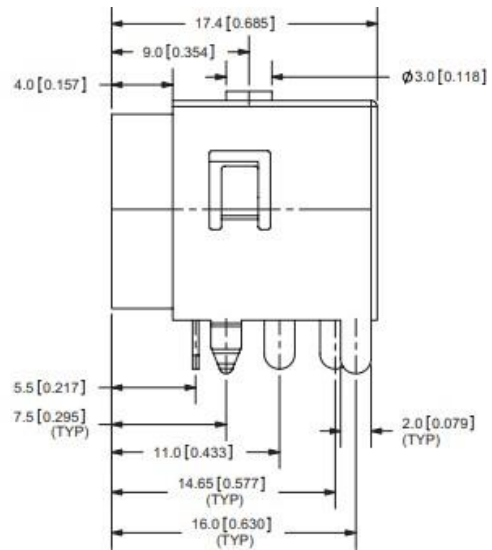
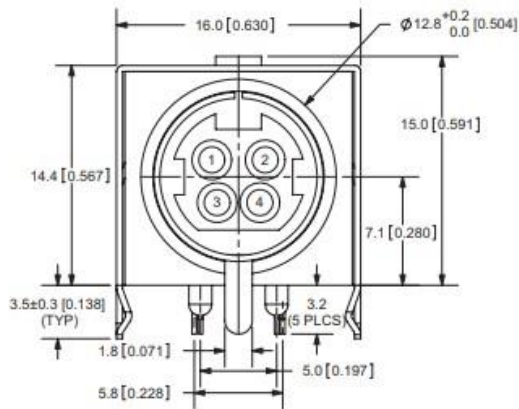


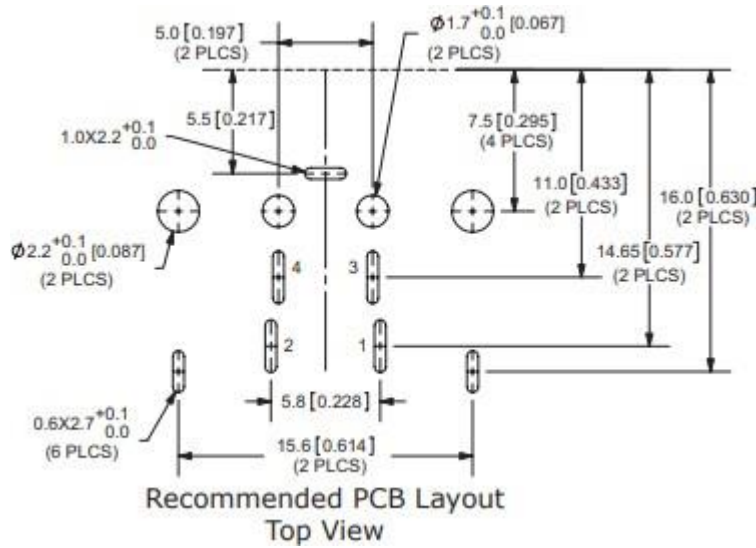
New Design PD-30S



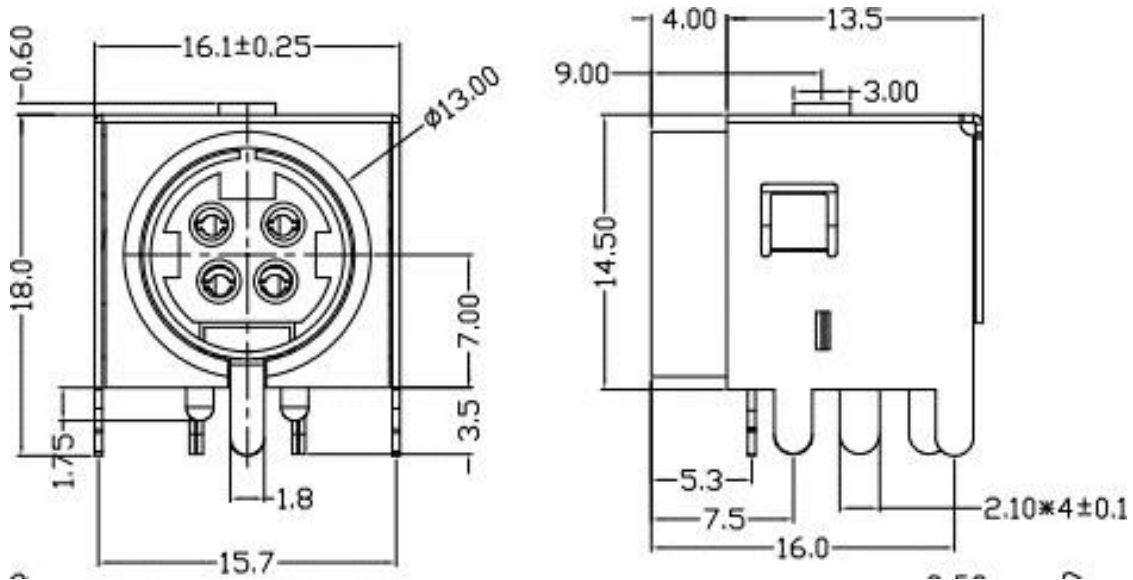


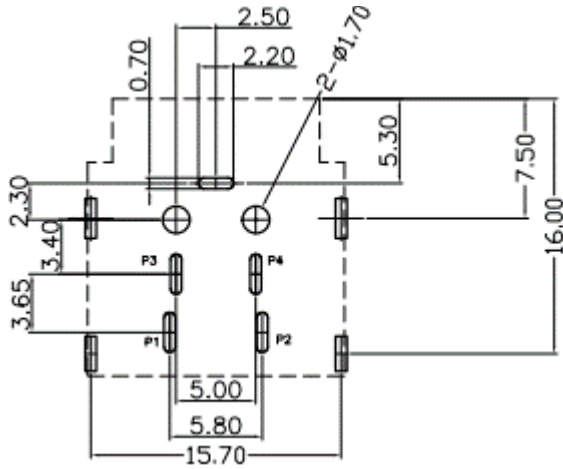
Old Design PD-40S





New Design PD-40S





Old design materials (PD-30S)

	MATERIAL	PLATING
TERMINAL 1	Phosphor Bronze	Tin
TERMINALS 2-3	Brass	Tin
EARTH TERMINAL	Brass	Tin
SHIELD	Steel	Tin
HOUSING	PBT	

New design materials (PD-30S)

	MATERIAL	PLATING
housing	PBT (UL94V-0)	
contact	phoshor bronze	silver
ground	brass	nickel
shell	SPCC	tin

Old design materials (PD-40S)

	MATERIAL	PLATING
terminal 1	brass	tin
terminal 2	brass	tin
terminal 3	brass	tin
terminal 4	brass	tin
earth terminal	brass	tin
shield	steel	tin
plastic	PBT	

New design materials (PD-40S)

CUI DEVICES

20050 SW 112th Ave. Tualatin, Oregon 97062
phone: 800.275.4899 fax: 503.612.2383
www.cuidevices.com

	MATERIAL	PLATING
housing	PBT (UL94V-0)	
contact	phosphor bronze	silver
ground	brass	nickel
shell	SPCC	tin

Affected Date Code: 12/10/2019 for PD-40S, 11/15/19 for PD-30S

Product Availability: currently available

Additional Information: none

PCN Approval:

Operations/Quality



Product Marketing

