

## Product Change Notice (PCN)

Date: **03/24/2023**

PCN Number: **PCN-0451211-01**

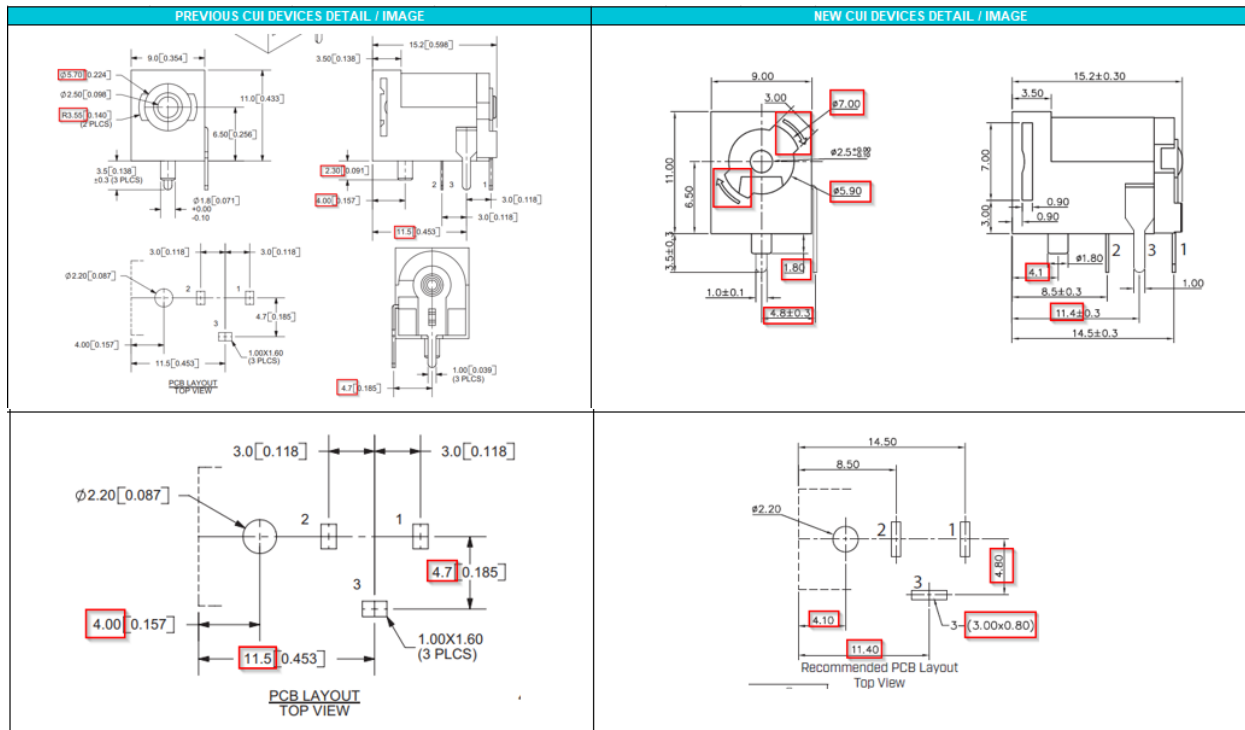
To Our Customers:

We appreciate your use of our products. Our commitment in maintaining and improving processes is demonstrated by plans to enhance our product quality, reliability, and manufacturability. The purpose of this notice is to inform you of a product change.

Product(s) Affected: *PJ-059B*

Reason(s) for Change: *Manufacturing process improvements*

Description of Change: *Minor Housing and footprint differences. Material Change on the housing and terminals. See image Below*



F-723-001

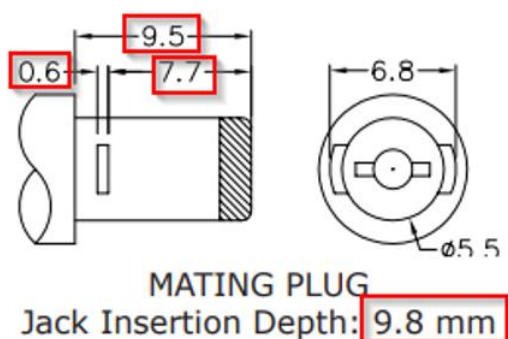
Revision: A

	MATERIAL	PLATING
center pin	copper	nickel
terminal 1	brass	tin
terminal 2	copper alloy	tin
terminal 3	brass	tin
plastic	PBT	

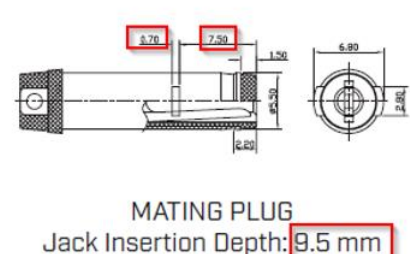
  

DESCRIPTION	MATERIAL	PLATING/COLOR
center pin	brass	nickel
terminal 1	brass t=0.30	tin
terminal 2	bronze t=0.25	tin
terminal 3	brass t=0.30	tin
cover	PBT (UL94V-0)	black
housing	PBT (UL94V-0)	black



**MATING PLUG**  
Jack Insertion Depth: **9.8 mm**



**MATING PLUG**  
Jack Insertion Depth: **9.5 mm**

Affected Date Code: **02/28/2023**

Product Availability: *Pertaining to market availability*

Additional Information:

PCN Approval:

Operations/Quality



Product Management



F-723-001

Revision: A