

Product Change Notice (PCN)

Date: 12/31/2022

PCN Number: PCN-0451161R-01

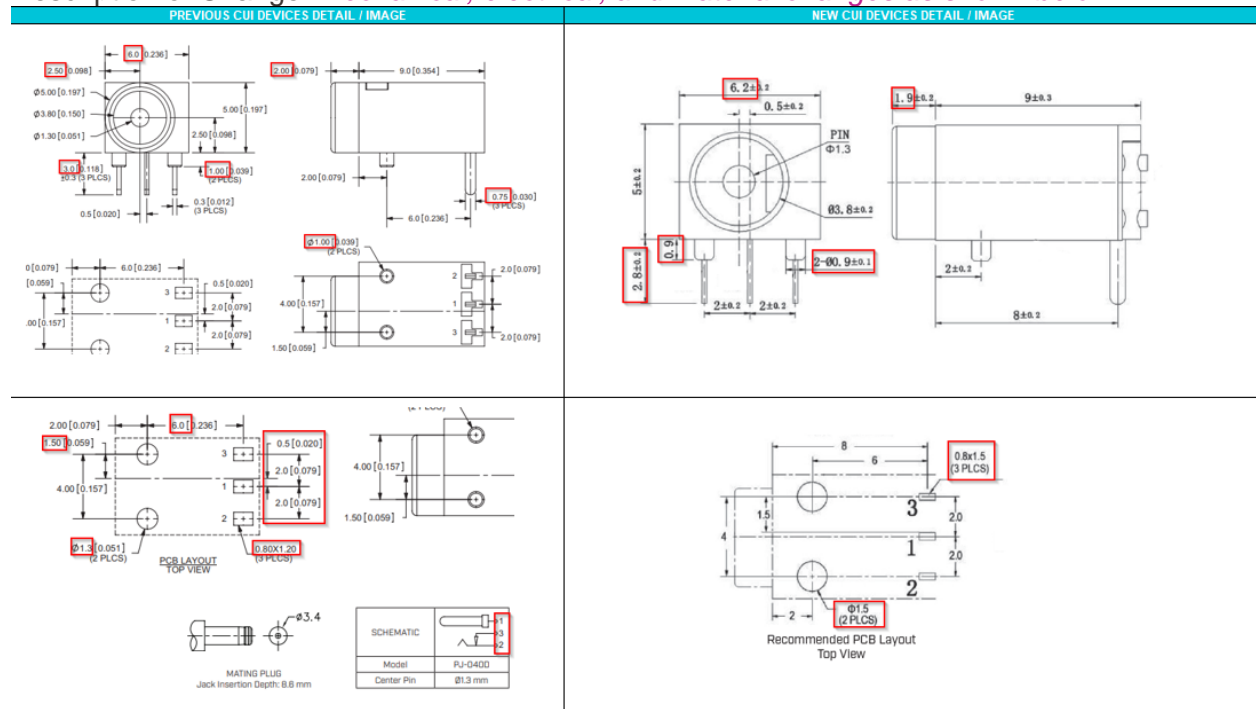
To Our Customers:

We appreciate your use of our products. Our commitment in maintaining and improving processes is demonstrated by plans to enhance our product quality, reliability, and manufacturability. The purpose of this notice is to inform you of a product change.

Product(s) Affected: *PJ-040D & PJ-040DH*

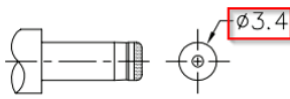
Reason(s) for Change: *Manufacturing process improvements*

Description of Change: *Mechanical, electrical, and material changes as shown below:*



	MATERIAL	PLATING
center pin	brass	silver
terminal 1	brass	silver
terminal 2	copper alloy	silver
terminal 3	brass	silver
plastic	PA66	

DESCRIPTION	MATERIAL	PLATING/COLOR
center pin	brass	silver
terminal 1	brass t=0.25	silver
terminal 2	brass t=0.25	silver
terminal 3	brass t=0.25	silver
housing	PBT (UL94V-0)	black



MATING PLUG
Jack Insertion Depth: 8.6 mm



MATING PLUG
Jack Insertion Depth: 8.0 mm


Affected Date Code: 12/20/2022

Product Availability: Channel Availability mid Q1

Additional Information:

PCN Approval:

Operations/Quality



Product Management

