



Product Change Notice (PCN)

Date: 01/05/2024

PCN Number: PCN-0451156-02

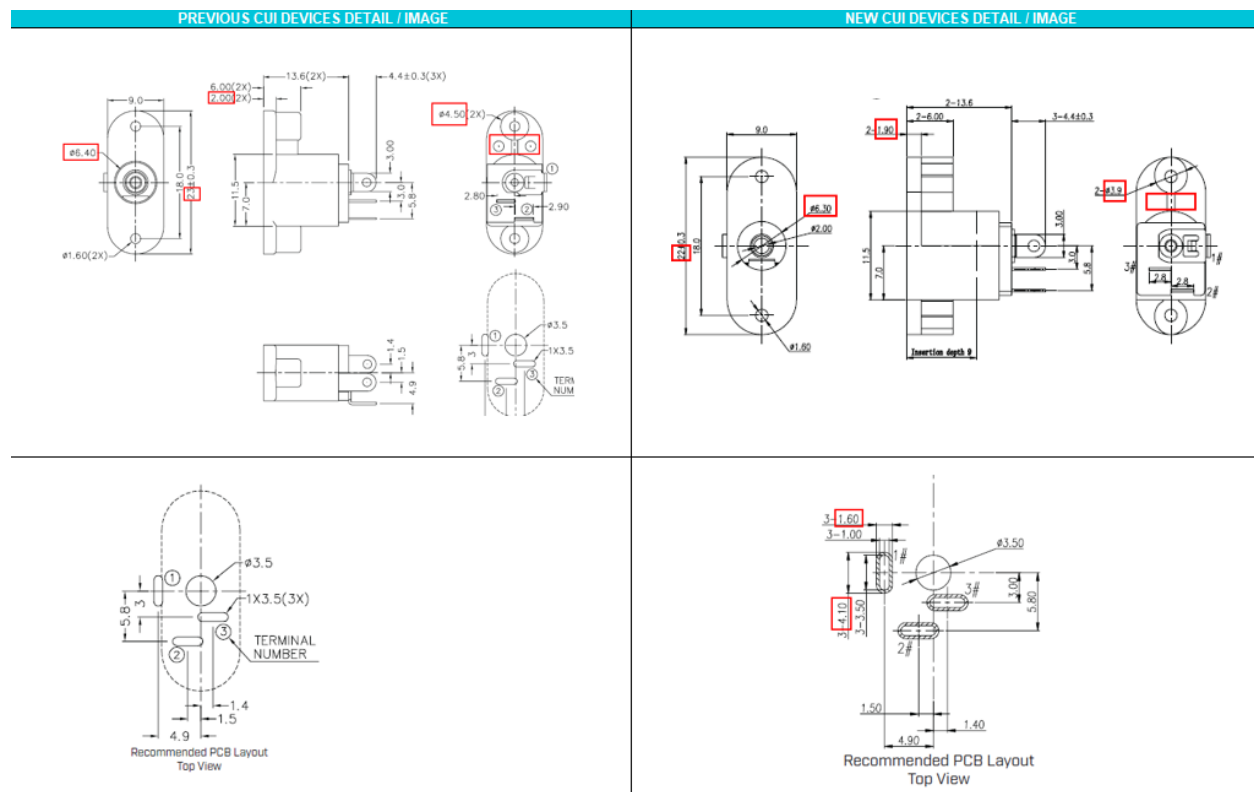
To Our Customers:

We appreciate your use of our products. Our commitment in maintaining and improving processes is demonstrated by plans to enhance our product quality, reliability, and manufacturability. The purpose of this notice is to inform you of a product change.

Product(s) Affected: *PJ-039A, PJ-039AH & PJ-039BH*

Reason(s) for Change: *Manufacturing Improvement processes*

Description of Change: *Minor Dimensional Difference. See image Below*



F-723-001

Revision: A



Affected Date Code: **01/05/2024**

Product Availability: *Pertaining to market availability*

PCN Approval:

Operations/Quality

A handwritten signature in black ink, appearing to read "Robert Garcia", written over a horizontal line.

Product Management

A handwritten signature in black ink, written over a horizontal line. The signature is partially obscured by a light grey rectangular box.