



Product Change Notice (PCN)

Date: **3/16/2023**

PCN Number: **PCN-0451074R-01**

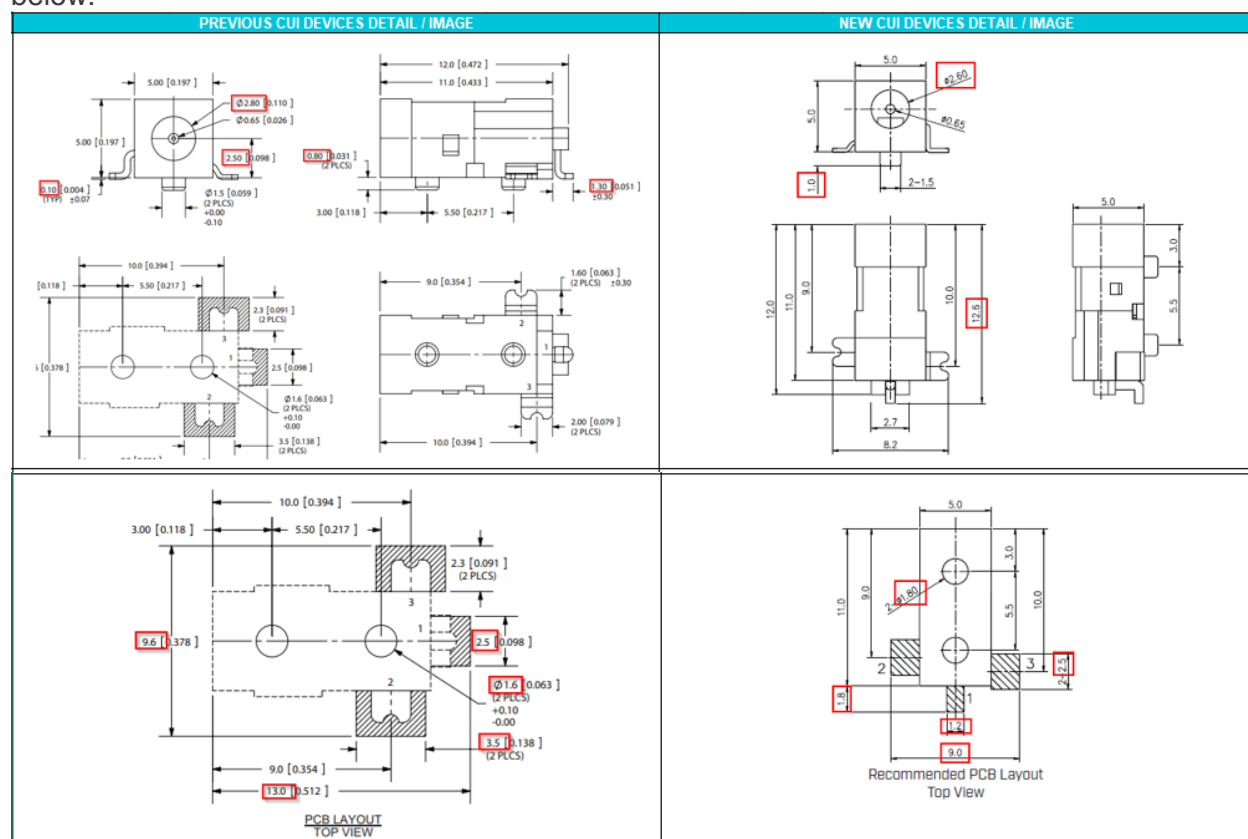
To Our Customers:

We appreciate your use of our products. Our commitment in maintaining and improving processes is demonstrated by plans to enhance our product quality, reliability, and manufacturability. The purpose of this notice is to inform you of a product change.

Product(s) Affected: PJ-031H-SMT-TR

Reason(s) for Change: *Manufacturing process improvements*

Description of Change: mechanical, material, packaging, and soldering differences as shown below:

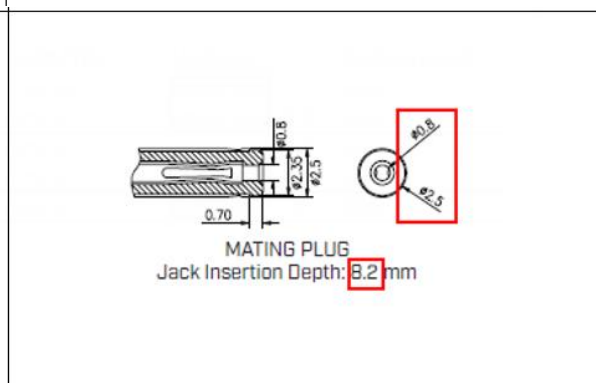
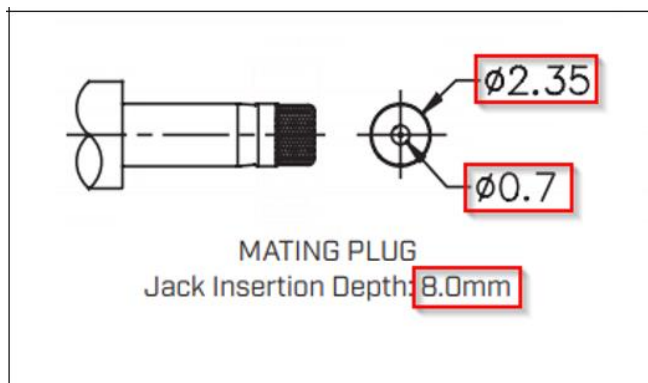


F-723-001

Revision: A

| | MATERIAL | PLATING |
|------------|--------------------|---------|
| center pin | brass | silver |
| terminal 1 | brass | silver |
| terminal 2 | copper alloy | silver |
| terminal 3 | brass | silver |
| plastic | PA6T or equivalent | |

| DESCRIPTION | MATERIAL | PLATING/COLOR |
|-------------|---------------------|---------------|
| center pin | copper alloy | silver |
| terminal 1 | copper alloy t=0.30 | silver |
| terminal 2 | copper alloy t=0.25 | silver |
| terminal 3 | copper alloy t=0.25 | silver |
| housing | PA10T (UL94V-0) | black |

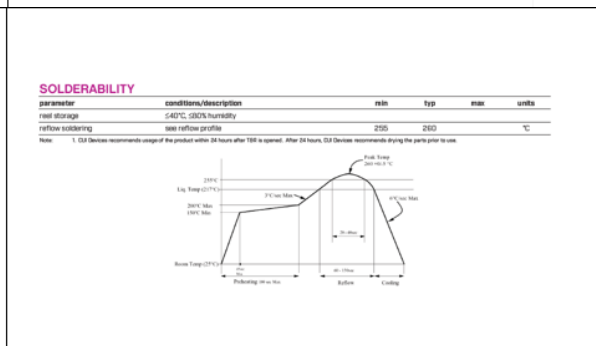
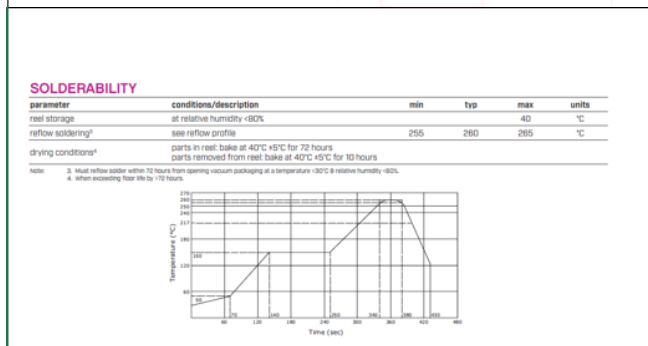


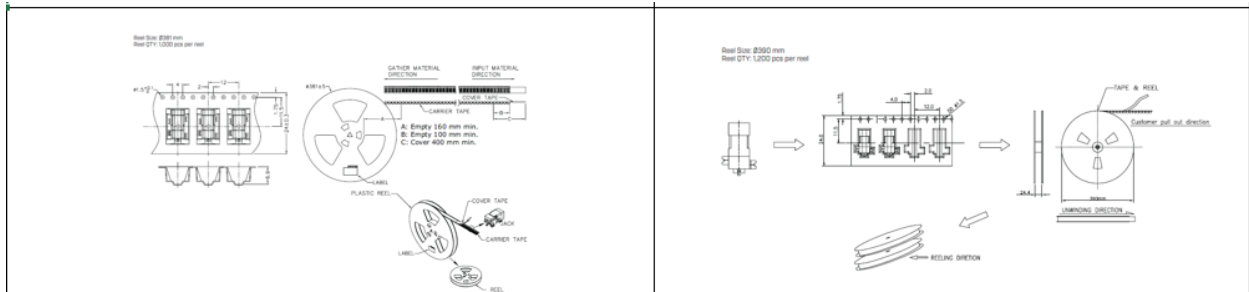
SPECIFICATIONS

| parameter | conditions/description | min | typ | max | units |
|---------------------------------|--------------------------------------|-----|-------|-----|--------|
| rated input voltage | | | 24 | | Vdc |
| rated input current | | | 2.5 | | A |
| contact resistance ¹ | between terminal and mating plug | | 50 | | mΩ |
| | between terminal in a closed circuit | | 30 | | mΩ |
| insulation resistance | at 500 Vdc | 100 | | | MΩ |
| voltage withstand | for 1 minute | | 500 | | Vdc |
| insertion/withdrawal force | | 0.3 | | 3 | kg |
| operating temperature | | -25 | | 85 | °C |
| life | at a rate of 24 cycles/minute | | 5,000 | | cycles |
| flammability rating | UL94V-0 | | | | |
| RoHS | yes | | | | |

SPECIFICATIONS

| parameter | conditions/description | min | typ | max | units |
|----------------------------|----------------------------------|-----|-------|-----|--------|
| rated input voltage | | | 24 | | Vdc |
| rated input current | | | 2.5 | | A |
| contact resistance | between terminal and mating plug | | 50 | | mΩ |
| insulation resistance | at 500 Vdc | 100 | | | MΩ |
| voltage withstand | for 1 minute | | 500 | | Vdc |
| insertion/withdrawal force | | 0.3 | | 3 | kg |
| operating temperature | | -25 | | 85 | °C |
| life | | | 5,000 | | cycles |
| flammability rating | UL94V-0 | | | | |
| RoHS | yes | | | | |





Affected Date Code: **2/23/23**

Product Availability: **Channel Availability Q2**

Additional Information:

PCN Approval:

Operations/Quality



Product Management

