

Product Change Notice (PCN)

Date: **05/04/2023**

PCN Number: **PCN-0450915R-01**

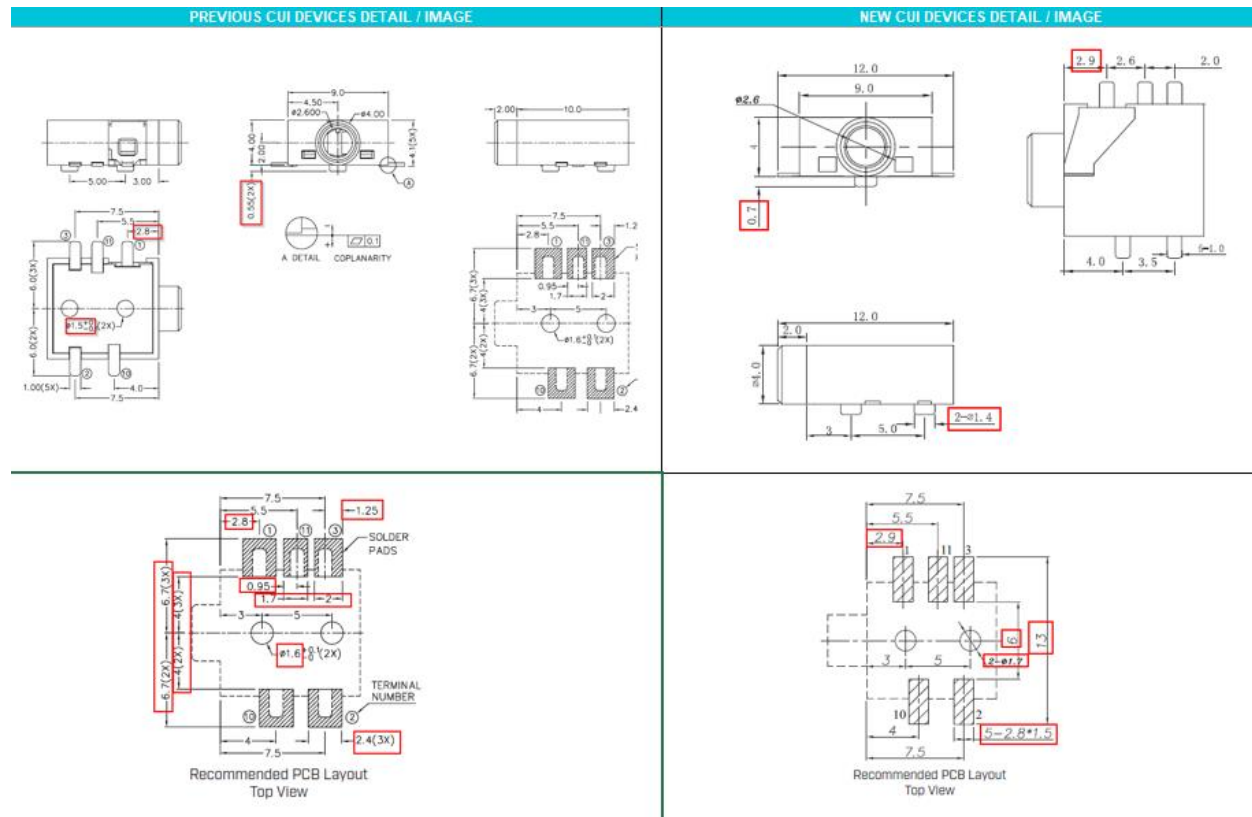
To Our Customers:

We appreciate your use of our products. Our commitment in maintaining and improving processes is demonstrated by plans to enhance our product quality, reliability, and manufacturability. The purpose of this notice is to inform you of a product change.

Product(s) Affected: *SJ1-2513-SMT-TR & SJ1-2515-SMT-TR*

Reason(s) for Change: *Manufacturing process improvements*

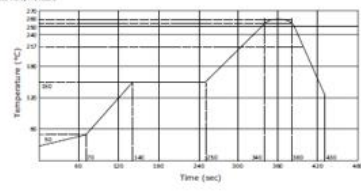
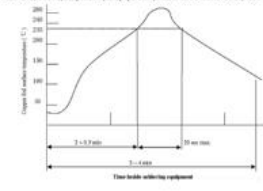
Description of Change: *Minor Housing and footprint differences. Material Change on the housing and terminals. See image Below*

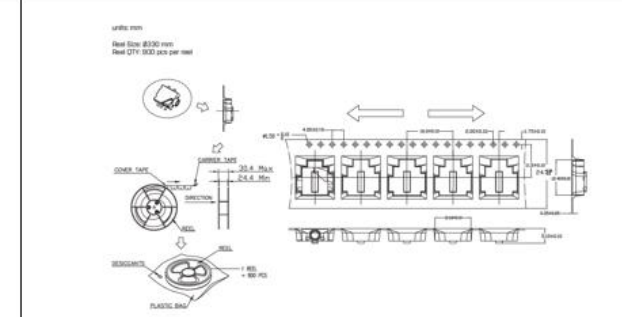
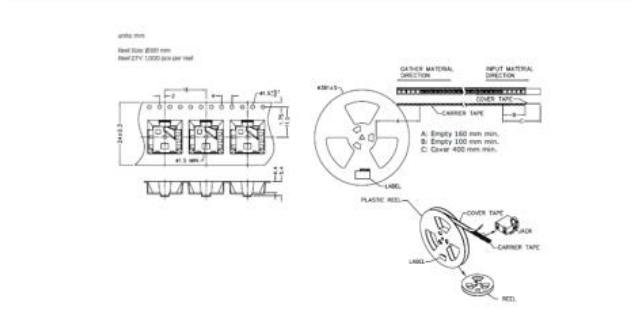


F-723-001

Revision: A

PREVIOUS CUI DEVICES DETAIL / IMAGE			NEW CUI DEVICES DETAIL / IMAGE		
	MATERIAL	PLATING	DESCRIPTION	MATERIAL	PLATING/COLOR
terminal 1	copper alloy	gold flash	terminal 1	brass	gold
terminal 2	copper alloy	gold flash	terminal 2	BE-CU	gold
terminal 3	copper alloy	gold flash	terminal 3	BE-CU	gold
terminal 10	brass	gold flash	terminal 10	brass	gold
terminal 11	brass	gold flash	terminal 11	brass	gold
plastic	PA10T		housing	PAST	black

PREVIOUS CUI DEVICES DETAIL / IMAGE						NEW CUI DEVICES DETAIL / IMAGE					
SOLDERABILITY						SOLDERABILITY					
parameter	conditions/description	min	typ	max	units	parameter	conditions/description	min	typ	max	units
reel storage	at relative humidity $\leq 65\%$			40	$^{\circ}\text{C}$	reel storage	$\leq 30^{\circ}\text{C}$, $65\%</math> humidity$				$^{\circ}\text{C}$
reflow soldering	see reflow profile	255	255	255	$^{\circ}\text{C}$	reflow soldering	see reflow profile		260		$^{\circ}\text{C}$
drying condition ¹	parts in reel bake at 40°C $\pm 5^{\circ}\text{C}$ for 72 hours parts removed from reel bake at 40°C $\pm 5^{\circ}\text{C}$ for 10 hours					drying conditions	parts in reel bake at $40 \pm 5^{\circ}\text{C}$ for 72 hours parts removed from reel bake at $40 \pm 5^{\circ}\text{C}$ for 10 hours				
Note: 1. Reel surface should within 10 hours from opening vacuum packaging at a temperature $\leq 30^{\circ}\text{C}$ & relative humidity $\leq 65\%$. 2. When unloading four sites to 172 hours.						Note: 1. CUI Devices recommends to solder within 72 hours from opening vacuum packaging at a temperature $\leq 30^{\circ}\text{C}$ & relative humidity $\leq 65\%$.					
											





Affected Date Code: **05/03/2023**

Product Availability: *Pertaining to market availability*

PCN Approval:

Operations/Quality

A handwritten signature in black ink, appearing to read "Rae Adams", is written over a horizontal line.

Product Management

A handwritten signature in black ink, appearing to read "J. Adams", is written over a horizontal line.