

Product Change Notice (PCN)

Date: **5/23/2023**

PCN Number: **PCN-0450492R-01**

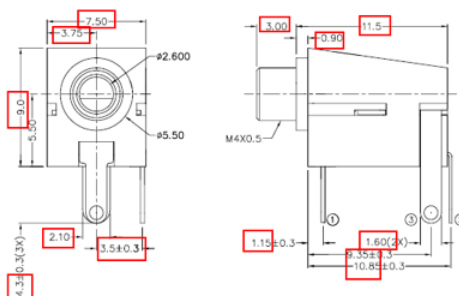
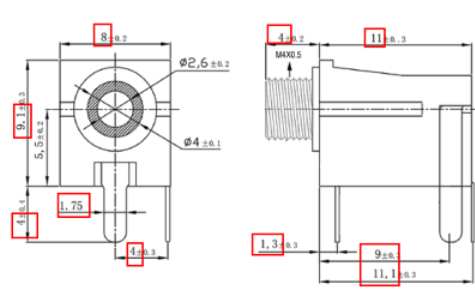
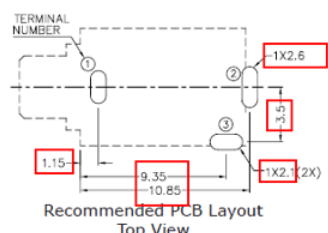
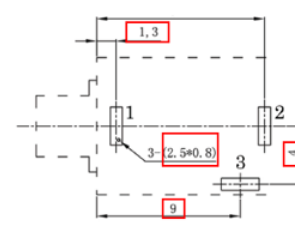
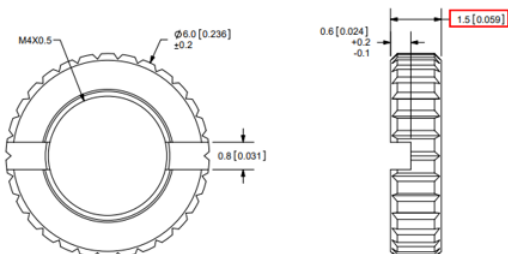
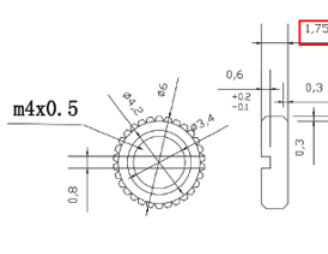
To Our Customers:

We appreciate your use of our products. Our commitment in maintaining and improving processes is demonstrated by plans to enhance our product quality, reliability, and manufacturability. The purpose of this notice is to inform you of a product change.

Product(s) Affected: MJ-2508

Reason(s) for Change: *Manufacturing process improvements*

Description of Change: mechanical and material differences as shown below:

PREVIOUS CUI DEVICES DETAIL / IMAGE	NEW CUI DEVICES DETAIL / IMAGE
	
 <p>Recommended PCB Layout Top View</p>	 <p>Recommended PCB Layout Top View</p>
	

F-723-001

Revision: A

	MATERIAL	PLATING
terminal 1	brass	tin
terminal 2	copper alloy	tin
terminal 3	brass	tin
bushing	brass	nickel
plastic	PBT	

DESCRIPTION	MATERIAL	PLATING/COLOR
terminal 1	brass	tin
terminal 2	brass	tin
terminal 3	brass	tin
bushing	brass	tin
housing	PBT (UL94V-0)	black

Affected Date Code: *5/15/23*

Product Availability: *Channel Availability Q2*

Additional Information:

PCN Approval:

Operations/Quality



Product Management

