

Product Change Notice (PCN)

Date: 02/25/2022

PCN Number: PCN-0450375R-01

To Our Customers:

We appreciate your use of our products. Our commitment in maintaining and improving processes is demonstrated by plans to enhance our product quality, reliability, and manufacturability. The purpose of this notice is to inform you of a product change.

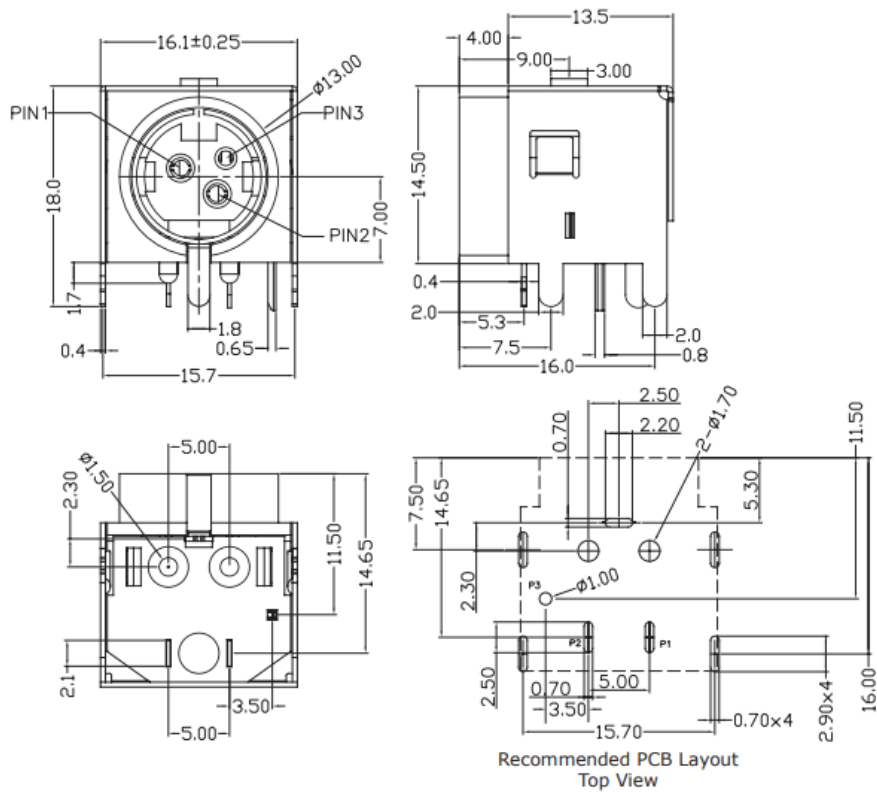
Product(s) Affected: PD-30S

Reason(s) for Change: New factory location and tooling. To enhance product reliability and production consistency.

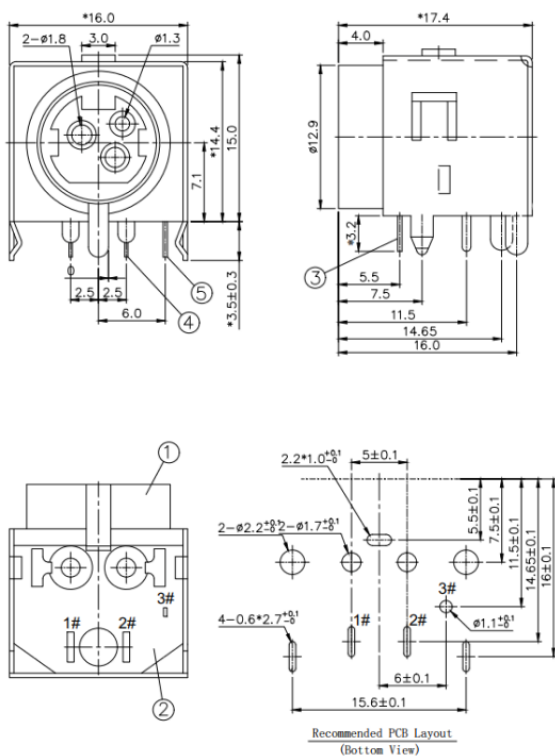
Functionality: Changes are within specified tolerances.

Description of Change: Small dimensional changes, shown in the drawing below

OLD



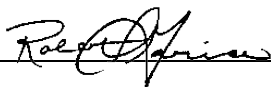
NEW



Affected Date Code: 02/25/2022
Product Availability: pertaining to market availability

PCN Approval:

Operations/Quality



Product Management

