

Product Change Notice (PCN)

Date: 11/16/2022

PCN Number: PCN-0450007R-01

To Our Customers:

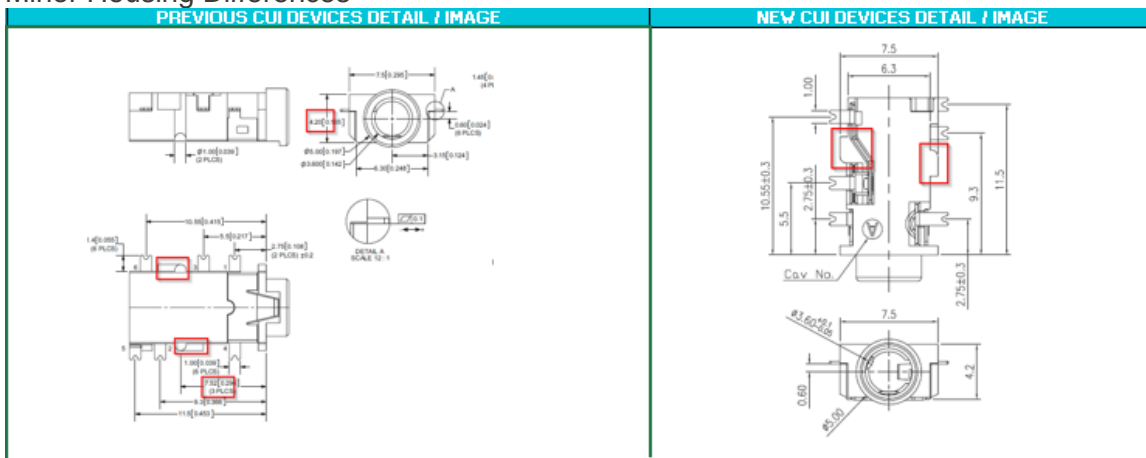
We appreciate your use of our products. Our commitment in maintaining and improving processes is demonstrated by plans to enhance our product quality, reliability, and manufacturability. The purpose of this notice is to inform you of a product change.

Product(s) Affected:
SJ-43504-SMT-TR

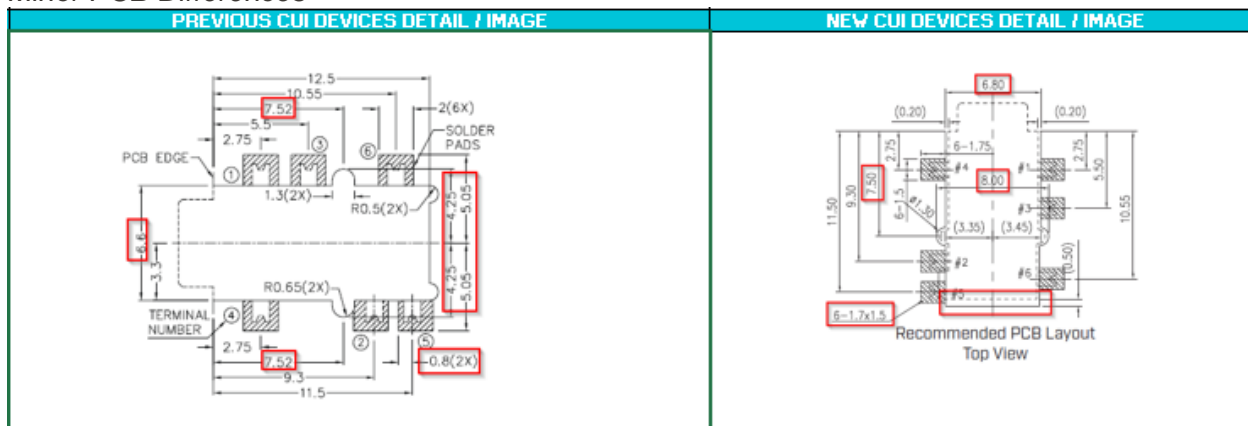
Reason(s) for Change: *Manufacturing process improvements*

Description of Change:

1. Minor Housing Differences



2. Minor PCB Differences



3. Housing and Terminal material Differs

PREVIOUS CUI DEVICES DETAIL / IMAGE	NEW CUI DEVICES DETAIL / IMAGE																																																
<table border="1"> <thead> <tr> <th></th> <th>MATERIAL</th> <th>PLATING</th> </tr> </thead> <tbody> <tr> <td>terminal 1</td> <td>copper alloy</td> <td>gold flash</td> </tr> <tr> <td>terminal 2</td> <td>copper alloy</td> <td>gold flash</td> </tr> <tr> <td>terminal 3</td> <td>copper alloy</td> <td>gold flash</td> </tr> <tr> <td>terminal 4</td> <td>copper alloy</td> <td>gold flash</td> </tr> <tr> <td>terminal 5</td> <td>copper alloy</td> <td>gold flash</td> </tr> <tr> <td>terminal 6</td> <td>copper alloy</td> <td>gold flash</td> </tr> <tr> <td>plastic</td> <td>PA6T or equivalent</td> <td></td> </tr> </tbody> </table>		MATERIAL	PLATING	terminal 1	copper alloy	gold flash	terminal 2	copper alloy	gold flash	terminal 3	copper alloy	gold flash	terminal 4	copper alloy	gold flash	terminal 5	copper alloy	gold flash	terminal 6	copper alloy	gold flash	plastic	PA6T or equivalent		<table border="1"> <thead> <tr> <th>DESCRIPTION</th> <th>MATERIAL</th> <th>PLATING/COLOR</th> </tr> </thead> <tbody> <tr> <td>terminal 1</td> <td>C5210 t=0.20</td> <td>gold flash over nickel</td> </tr> <tr> <td>terminal 2</td> <td>C5210 t=0.20</td> <td>gold flash over nickel</td> </tr> <tr> <td>terminal 3</td> <td>C5210 t=0.20</td> <td>gold flash over nickel</td> </tr> <tr> <td>terminal 4</td> <td>C5210 t=0.20</td> <td>gold flash over nickel</td> </tr> <tr> <td>terminal 5</td> <td>C2680-EH t=0.20</td> <td>gold flash over nickel</td> </tr> <tr> <td>terminal 6</td> <td>C2680-EH t=0.20</td> <td>gold flash over nickel</td> </tr> <tr> <td>housing</td> <td>PA9T (UL94V-0)</td> <td>black</td> </tr> </tbody> </table>	DESCRIPTION	MATERIAL	PLATING/COLOR	terminal 1	C5210 t=0.20	gold flash over nickel	terminal 2	C5210 t=0.20	gold flash over nickel	terminal 3	C5210 t=0.20	gold flash over nickel	terminal 4	C5210 t=0.20	gold flash over nickel	terminal 5	C2680-EH t=0.20	gold flash over nickel	terminal 6	C2680-EH t=0.20	gold flash over nickel	housing	PA9T (UL94V-0)	black
	MATERIAL	PLATING																																															
terminal 1	copper alloy	gold flash																																															
terminal 2	copper alloy	gold flash																																															
terminal 3	copper alloy	gold flash																																															
terminal 4	copper alloy	gold flash																																															
terminal 5	copper alloy	gold flash																																															
terminal 6	copper alloy	gold flash																																															
plastic	PA6T or equivalent																																																
DESCRIPTION	MATERIAL	PLATING/COLOR																																															
terminal 1	C5210 t=0.20	gold flash over nickel																																															
terminal 2	C5210 t=0.20	gold flash over nickel																																															
terminal 3	C5210 t=0.20	gold flash over nickel																																															
terminal 4	C5210 t=0.20	gold flash over nickel																																															
terminal 5	C2680-EH t=0.20	gold flash over nickel																																															
terminal 6	C2680-EH t=0.20	gold flash over nickel																																															
housing	PA9T (UL94V-0)	black																																															

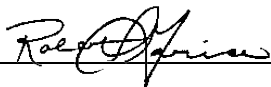
Affected Date Code: 11/15/2022

Product Availability: Channel availability mid Q4

Additional Information:

PCN Approval:

Operations/Quality



Product Management



Nick Wolfe

11/15/2022

F-723-001

Revision: A



F-723-001

Revision: A