

Product Change Notice (PCN)

Date: 05/09/2019

PCN Number: PCN-0384612R-01

To Our Customers:

We appreciate your use of our products. Our commitment in maintaining and improving processes is demonstrated by plans to enhance our product quality, reliability, and manufacturability. The purpose of this notice is to inform you of a product change.

Product(s) Affected: CMS-18138A-SP

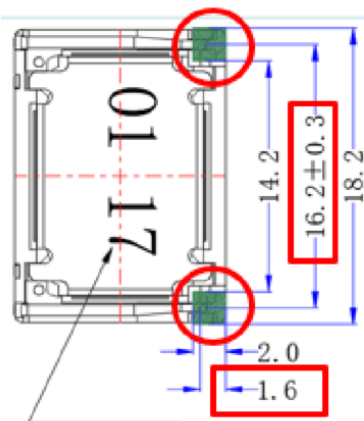
Reason(s) for Change: *In altering the springs, we are able to meet more customer's applications.*

Description of Change: *Spring contacts replaced. PCB layout unchanged.*

Previous:

Pin Pitch- 16.2 ± 0.3 mm

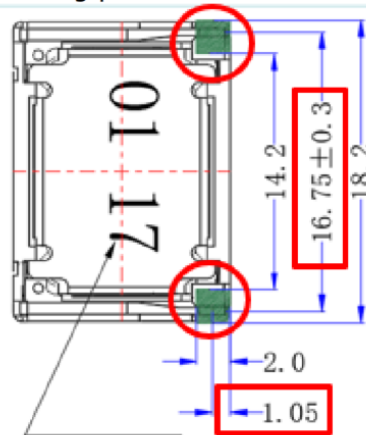
Touching point- 1.6 ± 0.2 mm



New:

Pin Pitch- 16.75 ± 0.3 mm

Touching point- 1.5 ± 0.2 mm



Affected Date Code: 1919

Product Availability: *Currently available*

Additional Information: *No change to fit or function. Form has been altered.*

F-723-001

Revision: A



PCN Approval:

Operations/Quality

A handwritten signature in black ink that reads "Sam Woody".

Product Management

A handwritten signature in black ink that reads "Morgan Bond".
