



Product Change Notice (PCN)

Date: 5/03/2019

PCN Number: PCN-0380008R-01

To Our Customers:

We appreciate your use of our products. Our commitment in maintaining and improving processes is demonstrated by plans to enhance our product quality, reliability, and manufacturability. The purpose of this notice is to inform you of a product change.

Product(s) Affected: *GF0779TV*

Reason(s) for Change: *Change to speaker frame due to tooling issue.*

Description of Change: *Metal frame altered creating a higher resonance frequency and SPL. The Buzz, Rattle, etc voltage has also been impacted and the screw terminal dimensions altered.*

Affected Date Code: *04/13/2019*

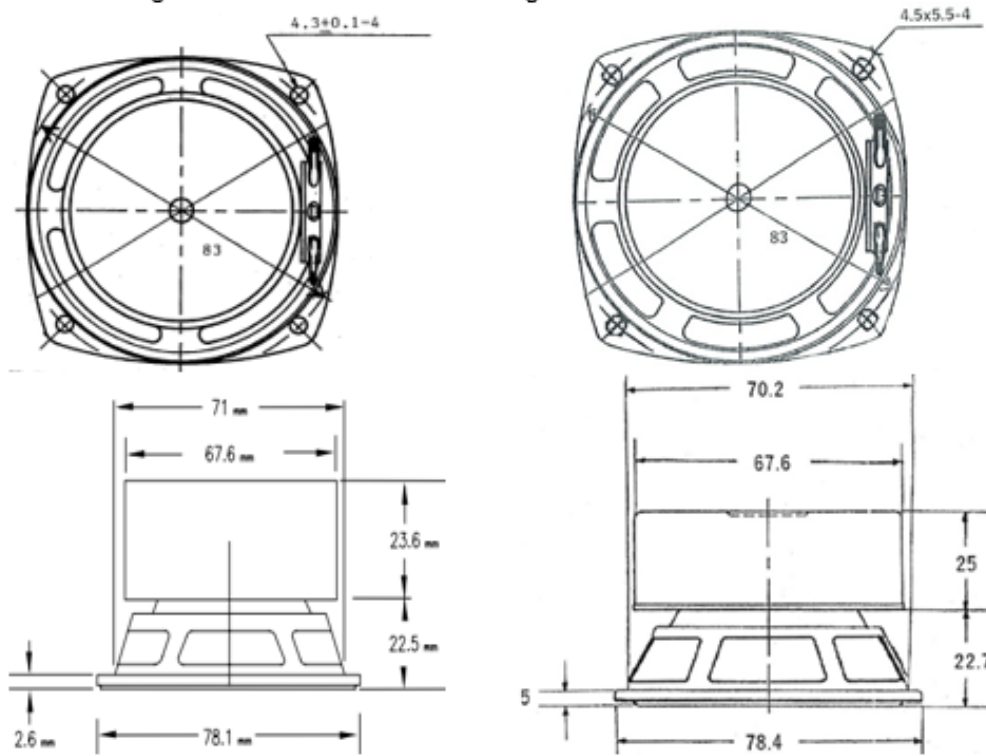
Product Availability: *Currently available*

Additional Information: *Change made to form, fit and function.*

Previous Design:
 Resonant Frequency 125 Hz \pm 18 Hz
 SPL 89dB
 Buzz, Rattle, etc. 6 V

New Design:
 Resonant Frequency 150 Hz \pm 30 Hz
 SPL 94dB
 Buzz, Rattle, etc. 6.92 V

See drawings below for dimensional changes



PCN Approval:

Operations/Quality

Sam Wood

Product Management

Morgan