

Product Change Notice (PCN)

Date: 10/08/2018

PCN Number: PCN-0374233R-01

To Our Customers:

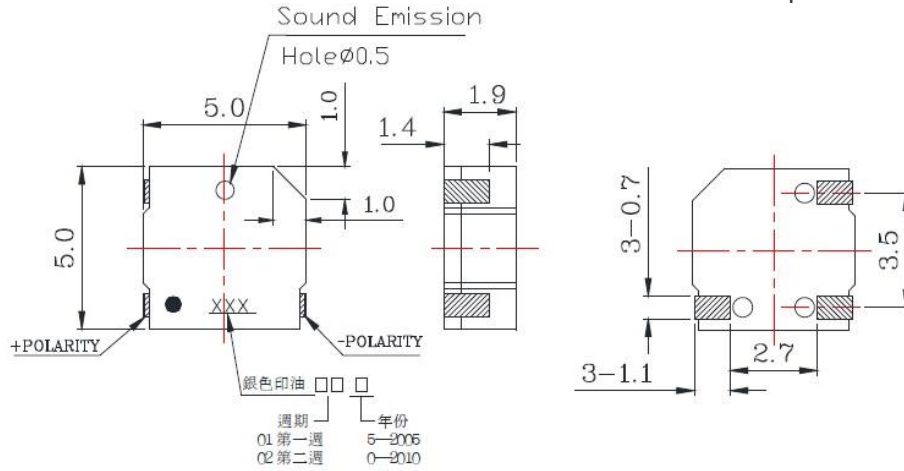
We appreciate your use of our products. Our commitment in maintaining and improving processes is demonstrated by plans to enhance our product quality, reliability, and manufacturability. The purpose of this notice is to inform you of a product change.

Product(s) Affected: *CSS-0575A-SMT-TR and CSS-0578-SMT-TR*

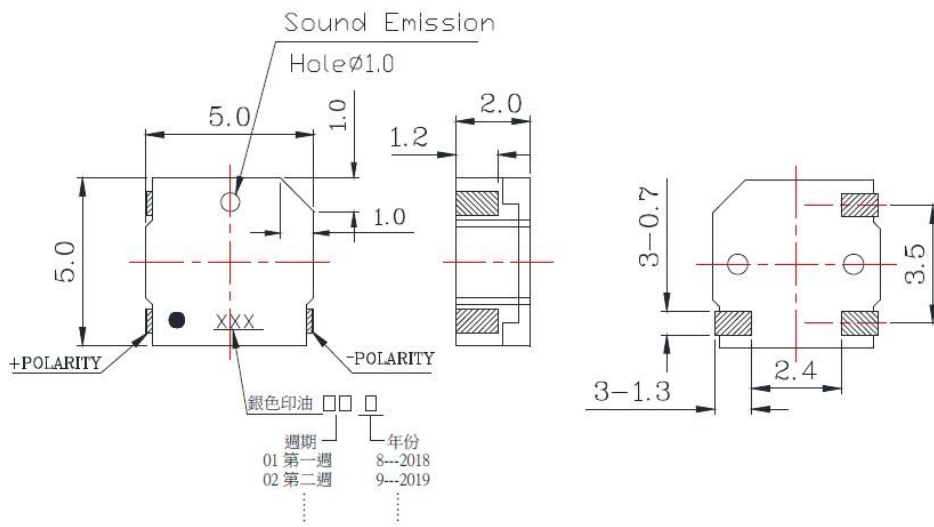
Reason(s) for Change: *Phasing out current tooling for updated design.*

Description of Change: *Tooling has been altered creating higher SPL, lower consumption current due to optimization of the structure and new dimensions are very close to the previous while the PCB layout remains the same for both parts.*

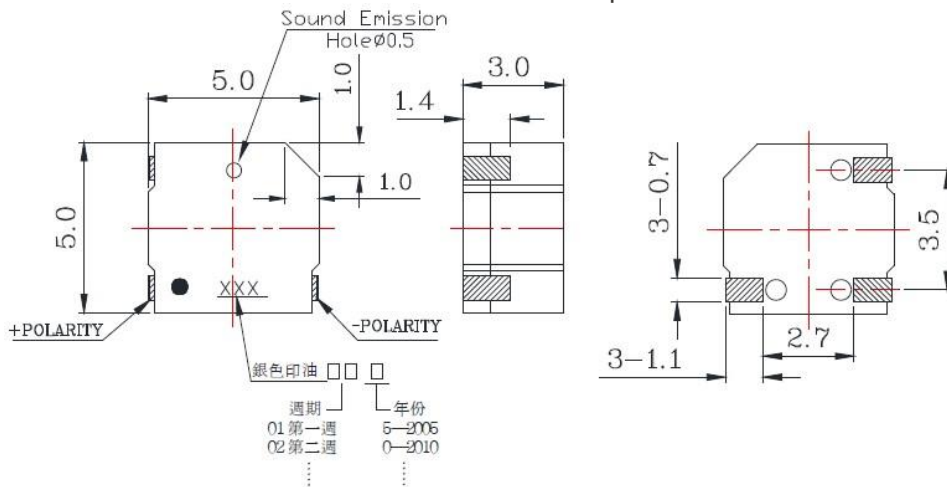
CSS-0575A-SMT-TR – Previous: SPL 75 dB / Current Consumption 110



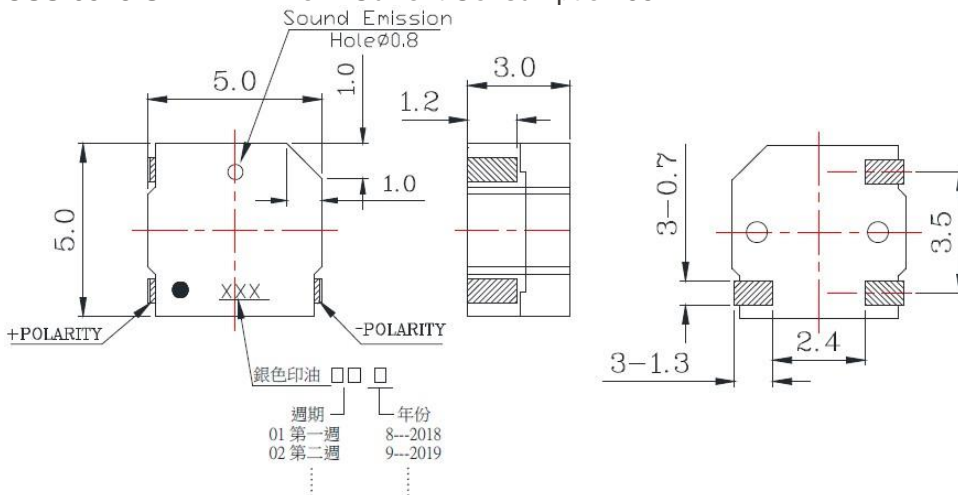
CSS-0575A-SMT-TR – New: SPL 76 dB / Current Consumption 95



CSS-0578-SMT-TR – Previous: Current Consumption 110



CSS-0578-SMT-TR – New: Current Consumption 95





Affected Date Code: *308*

Product Availability: *Currently available*

Additional Information: *No change to fit or function. Form has been altered.*

PCN Approval:

Operations/Quality

A handwritten signature in black ink that reads "Sam Woody".

Product Marketing

A handwritten signature in black ink that reads "Magenta".

2.2