

Product Change Notice (PCN)

Date: 11/5/2021

PCN Number: PCN-0374215R-01

To Our Customers:

We appreciate your use of CUI Devices products. Our commitment in maintaining and improving processes is demonstrated by plans to enhance our product quality, reliability, and manufacturability. The purpose of this notice is to inform you of a product change.

Product(s) Affected:
CEM-14R06CT

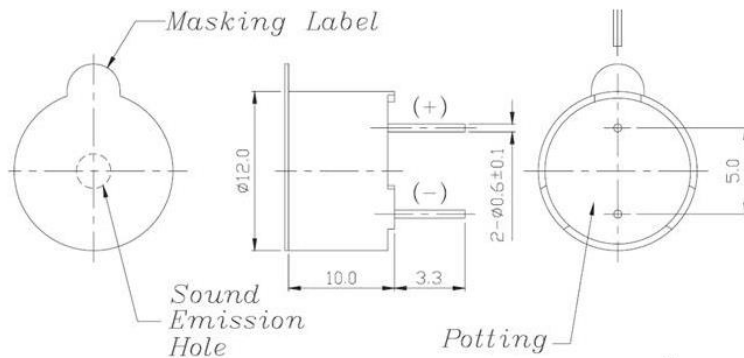
Reason(s) for Change:

Due to PCB Shortages and excessive lead times. CUI Devices will be changing the PCB and will only affect the pin Pitch from 5mm to 6.5mm

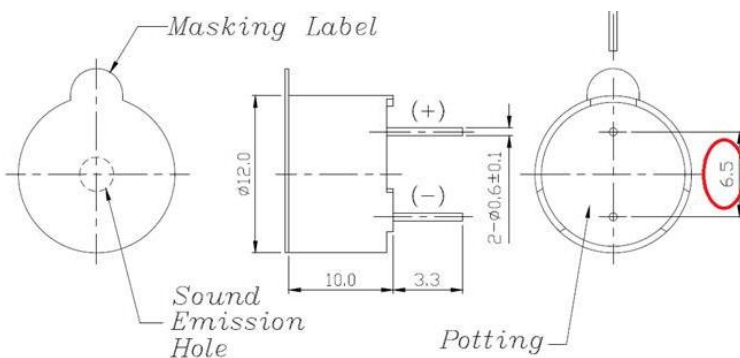
Description of Change:

- Pin Pitch from 5mm to 6.5mm

OLD



NEW



CUI DEVICES

Affected Date Code:
10/20/2021

Product Availability: 10/27/2021

Additional Information:

PCN Approval:

Operations/Quality

Product Marketing

Nick Wolfe

10/27/2021